

[Request your printed copy ▶](#)

ACCESS SOLUTIONS

MANHOLE COVERS ▼ GULLY GRATINGS ▼
STEEL ACCESS COVERS

CATALOGUE ▼ 2024



HELLO.

Whether you're looking to create robust infrastructure or shaping a new landscape, Wrekin stands at the forefront of civil engineering, armed with the right expertise and innovative products to bring your vision to life.

As a leading figure in the UK civil engineering landscape, we specialise in designing, manufacturing, and supplying innovative products for the industry. Our extensive range comprises ductile iron manhole covers and gully grates, bespoke steel systems, steel access covers and geosynthetics.

Proudly rooted in our identity as a family business, we boast four decades of experience in the sector. Throughout these 40 years, our growth has been consistent, a trajectory we aim to sustain by continuing to attract the finest talent, crafting consistently exceptional products, and delivering the kind of customer service we value ourselves.





Central to our ethos is the belief that sustainable manufacturing is synonymous with good manufacturing. Our commitment to sustainability is woven into the fabric of our culture, revolving around three core business pillars: resources, prosperity, and our people.

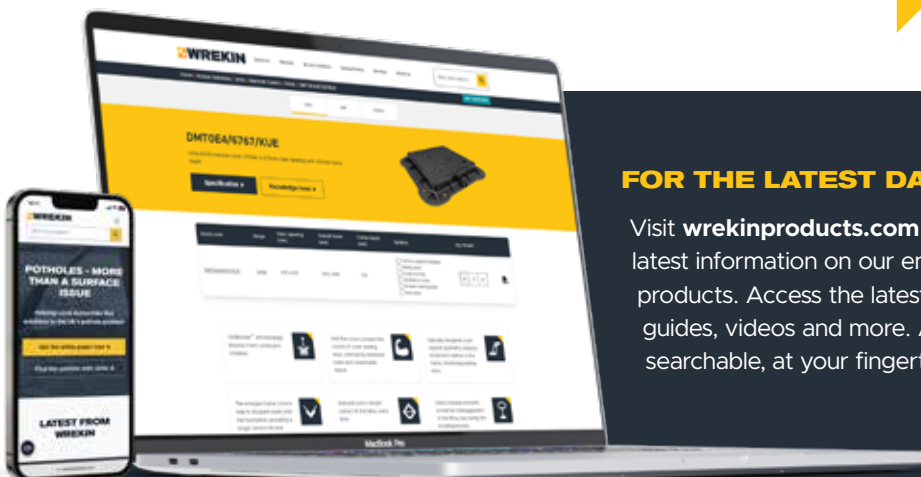
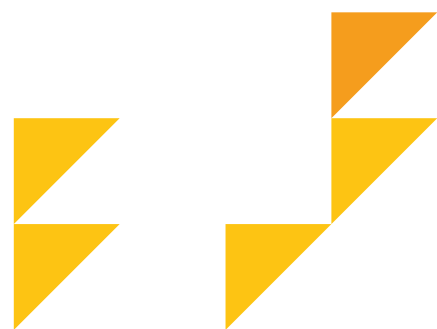
Our approachable teams are ready to guide you in selecting the right intelligent civil engineering product for your project. Reach out to us today, and let's discuss how we can bring your aspirations to fruition.

Simon Turner
Commercial Director - Wrekin Products



CONTENTS

| | | |
|---|---|----|
|  | Ductile iron manhole covers and gully gratings | 37 |
|  | Ductile iron surface boxes and kerb units | 81 |
|  | Accessories and innovations for ductile iron products | 87 |
|  | Steel access covers | 99 |



FOR THE LATEST DATA

Visit wrekinproducts.com for the very latest information on our entire range of products. Access the latest datasheets, guides, videos and more. All fully searchable, at your fingertips.



wrek.in



A LITTLE BIT ABOUT WREKIN

At Wrekin, we're not just in the business of creating road ironwork, access covers, custom steel solutions, and cutting-edge geosynthetic products – we're in the business of making every day better.

Our journey is marked by innovation and a commitment to putting customer relationships at the heart of our business. It's what has propelled us to the forefront of the civil engineering landscape, especially when it comes to critical safety solutions.

With over four decades of experience, our technical expertise and leadership have allowed us to develop market leading innovations that set us apart. We give the specifier, engineer, contractor and merchant solutions to long standing issues with reduced environmental impacts.

Our roots run deep in the world of highway ironwork. We are dedicated to crafting, manufacturing, and supplying the finest gully grates and manhole covers on the market. They're rugged and built to withstand the ever-growing demands placed on our roads and infrastructure. We take great pride in our partnerships with prominent water and telecommunication utilities across the UK, ensuring that motorists, pedestrians, and travellers can embark on safe and smooth journeys.

We're here to make the world beneath our feet a safer, more efficient, and sustainable place.



OUR VALUES



Responsive

We see the opportunities before others do and take the initiative.



Curious

We are always looking for new ways of thinking and exploring new ideas.



Collaborators

We connect and create with others, treating them fairly and respectfully.



Accountable

We learn and improve upon our processes to deliver results and value.



Straightforward

We ensure we are uncomplicated, easy to deal with and understand.



Experts

We figure out the best way to deliver the most productive solutions.



Trusted

We ensure reliability, take responsibility, and strive to do the right thing.

BETTER TOGETHER



CIVITEC GROUP

We are all better together, working collaboratively to achieve common goals.

That's why we've built Civitec Group, which brings together leading brands of civil engineering solutions providers with a shared ambition.

Our collective expertise spans across various aspects of civil engineering, from the design and manufacture of innovative products, to providing solutions to long standing problems through a specification approach.



We are not just a group of companies; we are a united force, striving to revolutionise the industry and contribute to the development of sustainable and resilient infrastructure.





Civitec Group's strength lies in our diversity.

Each member brand brings a unique perspective and specialised skills, enhancing our ability to solve complex problems and deliver comprehensive solutions. Our portfolio includes projects in transportation, water management, environmental engineering, and urban development. From supporting the design of smart cities through to mitigating climate change impacts, our work is shaping the future of civil engineering.

We are also deeply committed to fostering innovation. Our research and development teams continually explore new technologies and methodologies to improve efficiency and sustainability. We believe in harnessing the power of digital transformation to streamline processes, reduce waste, and increase productivity. Artificial intelligence, machine learning, and data analytics are just a few of the tools we employ to drive progress.

At Civitec Group, we understand that our people are our greatest asset. We invest heavily in talent development, providing our employees with opportunities for continuous learning and growth. Our inclusive work culture promotes collaboration, encourages creativity, and rewards excellence.

Civitec Group's mission is to redefine the boundaries of civil engineering, to create a world where infrastructure is smart, sustainable, and resilient. Our shared ambition fuels our drive for excellence, propelling us towards our vision of a better tomorrow.

DUCTILE IRON RANGES

Exciting new major road building and improvement projects are taking place throughout the UK, linking up our regions and supporting economic growth.

Investment is being made to remedy our infrastructure and to tackle the congestion in our cities, towns & villages and we are well positioned to offer unique solutions and innovations needed to spearhead the way.



Scan to see the full range online

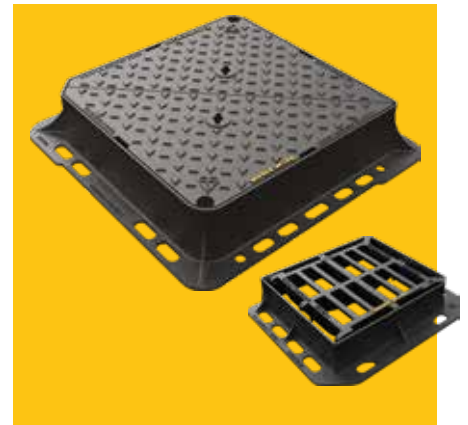
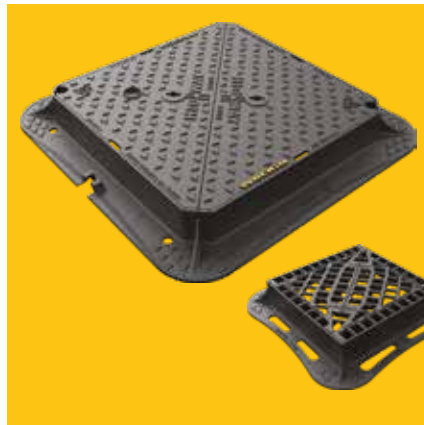
MANHOLE COVERS AND GULLY GRATES

Manhole covers and gully grates are safety critical. With this in mind, we have developed products which incorporate features that help eliminate failure mechanisms, minimising safety issues and optimising whole life cost.

The vast majority of our manhole covers are manufactured from heavy-duty ductile iron, offering durable strength and long-standing performance.

Our extensive ranges include single, double, and triple rectangular, round and square to round manhole covers, including popular and less common sizes.

Many of our products are certified by BSI to BS EN 124 and conform with CD 534, as well as other industry specifications, they also carry the Kitemark, meaning our products offer a trusted solution.



UNITE

Unite is simply the best performing manhole cover and gully grate range on the market. Packed with features which combine to give Unite the longest life and the lowest whole life cost of any UK manhole cover in its class.

| Manhole Covers | Gully Grates |
|---------------------|---------------------|
| E600 Page 41 | D400 Page 59 |
| D400 Page 47 | |



wrek.in/unite

HIGHWAY

Highway is our most versatile range of manhole covers and gully grates, with a solution for every scenario, including the most complex projects. Its vast variety of options makes it the most extensive range of robust highway ironwork available in the UK.

| Manhole Covers | Gully Grates |
|---------------------|---------------------|
| E600 Page 43 | D400 Page 61 |
| D400 Page 49 | |



wrek.in/highway

TRISTAR

Our high-quality and compliant Tristar manhole covers, gully grates and surface boxes offer a competitive solution for groundworkers and specifiers. Ever popular, the Tristar range is the best-selling ductile ironwork range of products in the UK.

| Manhole Covers | Gully Grates |
|---------------------|---------------------|
| D400 Page 52 | D400 Page 65 |



wrek.in/tristar



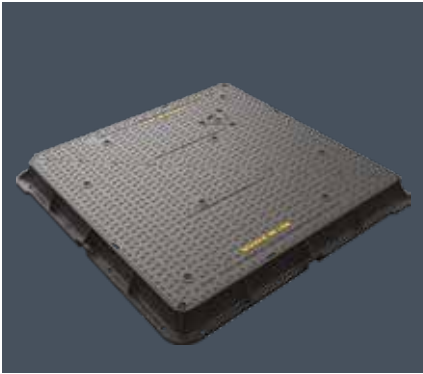
FORCE

Based on our premium Unite range, Force is the most mortar-sympathetic circular, hinged range of manhole covers available. The hinge utilises our unique anti-debris design, reducing build-up of dirt, ensuring a simple and easy lift every time.

View the range - Page 55



wrek.in/force



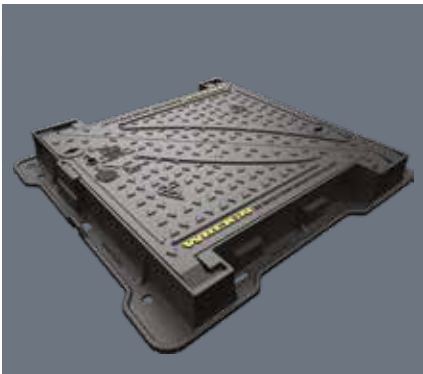
HERCULES

The ideal solution for scenarios that require extra-large D400, Group 4 manhole covers. Manufactured to BS EN 124 together with CD534-compliant skid resistance for high risk locations, Hercules offers a cost effective alternative to large-fabricated steel solutions.

View the range - Page 56



wrek.in/hercules



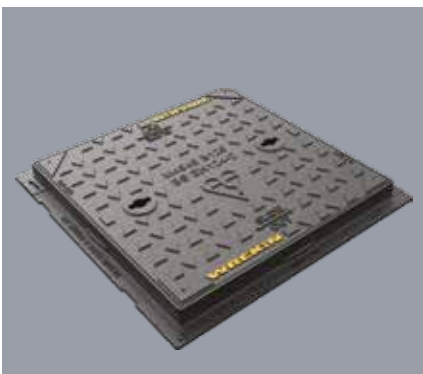
VAULT

Vault access covers are commonly used on motorways to secure valuable communication assets. Designed to meet the requirements of CD 534, the Vault range exceeds BS EN 124:2015 D400 requirements and includes a unique hinge system which fixes the covers in an upright position for safe and simple operation.

View the range - Page 57



wrek.in/vault



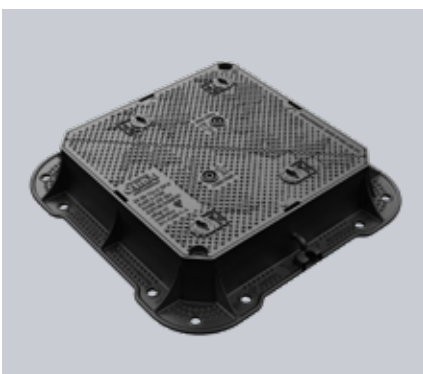
SAFESEAL

Safeseal manhole covers have been designed to combine high strength & light weight, and all incorporate a single labyrinth seal, helping to prevent odour escapes and water ingress. The range have been designed for use in load classes A15, B125 and C250.

View the range - Page 68



wrek.in/safeseal



CARGO

Introducing Cargo, designed for F900 load class applications like airports and docks. With an anti-slip surface and corrosion-resistant coating, Cargo ensures safety and durability. Easy to install and maintain, it sets a new standard for heavy-duty infrastructure.

View the range - Page 36

**Coming
soon**

STEEL ACCESS COVER RANGE

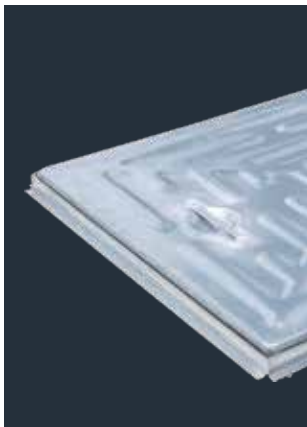
A range designed with care and crafted with precision. Our products promise a thoughtful approach to quality, durability, and installer-friendliness. These are covers that get the job done reliably, every time.

Dive in and you'll discover a versatile selection that caters to various needs and preferences. From pressed top covers to block and concrete infills, as well as aesthetically pleasing aluminium options, we've got a solution to suit your specific requirements.

We offer a variety of single, double and triple sealed options, ensuring that you can select the right level of protection and security for your project.

Our commitment to quality isn't just about the materials; it's about the peace of mind that comes with knowing you're installing a product that has been designed with installers in mind. No hassles, no headaches – just covers that fit seamlessly into your project.

So, explore our range, and find the right Steel access cover that meets your needs.



SOLID TOP

Solid top steel covers exemplify durability and function. These robust access covers blend strength with reliability, standing up to heavy use and environmental challenges. Trust them for enduring, dependable solutions.

View the range
Page 105



wrek.in/solidtop



RECESSED TRAYS FOR BLOCK INFILL

Block infill recessed access covers, the epitome of form and function, seamlessly blend into surfaces. These covers offer robust and unobtrusive solutions for access, combining aesthetics with practicality.

View the range
Page 109



wrek.in/blockfill



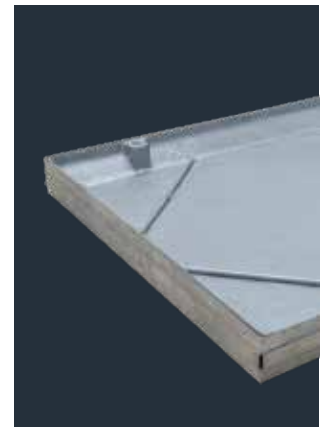
DEEP RECESSED TRAYS FOR FLOOR FINISH

Concrete infill recessed access covers offer a blend of durability and discreet functionality. These covers seamlessly integrate into surfaces, ensuring dependable access without compromising safety.

View the range
Page 113



wrek.in/deepfill



SHALLOW RECESSED TRAYS FOR FLOOR FINISH

Floor infill recessed access covers are the perfect fusion of aesthetics and functionality. They discreetly integrate into surfaces, providing access without compromising the visual appeal of your space.

View the range
Page 115



wrek.in/shallowfill



Scan to see the full range online



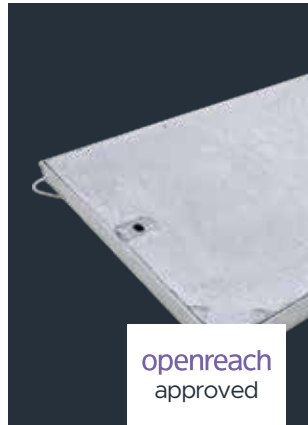
RECESSED TRAYS FOR BLOCK INFILL

Block infill BT approved access covers combine reliability with industry certification. These covers seamlessly integrate into block paved surfaces, offering both dependable access and the reassurance of Openreach approval.

View the range
Page 117



wrek.in/ORblockfill



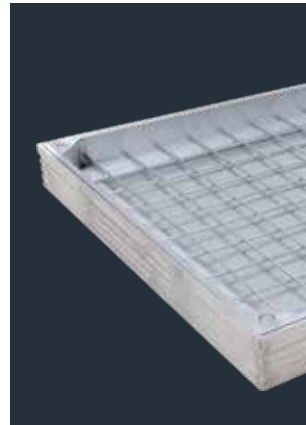
CONCRETE FILLED

Concrete infill BT approved access covers provide the perfect marriage of robustness and industry endorsement. These covers blend seamlessly into concrete surfaces, ensuring access while holding Openreach certification.

View the range
Page 119



wrek.in/ORconcretefill



RECESSED ALUMINIUM TRAYS FOR FLOOR FINISH INFILL

Triple-sealed aluminium tray access covers bring versatility and strength. With three layers of protection, they provide a robust and trustworthy solution for critical access needs.

View the range
Page 121

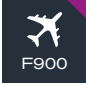



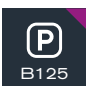





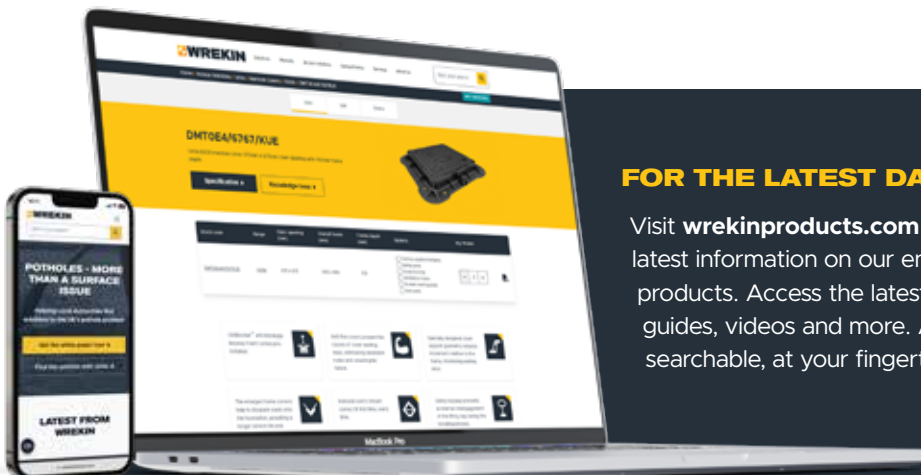
wrek.in/aluminium



DUCTILE IRON

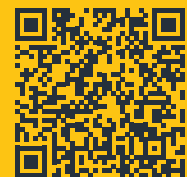
CONTENTS

| | | |
|---|------------------------------|----|
|  F900 | F900 iron products | 37 |
|  E600 | E600 iron products | 41 |
|  D400 | D400 iron products | 45 |
|  C250 | C250 iron products | 67 |
|  B125 | B125 iron products | 71 |
|  A15 | A15 iron products | 77 |
|  | Surface boxes and kerb units | 81 |
|  | Accessories and innovations | 87 |



FOR THE LATEST DATA

Visit wrekinproducts.com for the very latest information on our entire range of products. Access the latest datasheets, guides, videos and more. All fully searchable, at your fingertips.



wrekin.in

MANHOLE COVER COMPARISON

Comparing our Unite, Highway and Tristar manhole cover ranges.

CD 534 v0.1.0 compliant

The Design Manual for Roads and Bridges (DMRB) has recently been updated by Highways England with a new set of guidance for frame flange area, frame weights, skid resistance and more

[See p20](#)

BSI Kitemarked to BS EN 124:2015

The BSI Kitemark is a third-party certification mark used as an independent verification indicator of conformance to a particular standard, in this case: BS EN 124:2015

[See p22](#)

Safety keyway

Ensures lifting keys are held captive in the keyway during the lifting process, preventing accidental drops

BS 7903 flange gussets

Increase frame rigidity and convert traffic forces into foundation-harmonising compression loads, extending the life of the installation

Low wear seats

The cover and frame are designed to reduce seating wear, increasing installation life

Asset identification badge

A location on the cover is available to retrofit an identification badge

Simple and safe frame manoeuvring

The frame has lifting key points to enable simple and safe manoeuvring on site

Hinged rectangular covers in range

Hinge and lift out (Halohinge) covers, allowing cover to hinge to 100° and be secured in place, but also lifted out with standard lifting keys from a closed position

Anti-flex covers

The covers are designed to reduce flex, providing a more robust and longer lasting installation

Mortar sympathetic frame features

The frame is designed to bond with mortar to provide a more secure installation with reduced movement

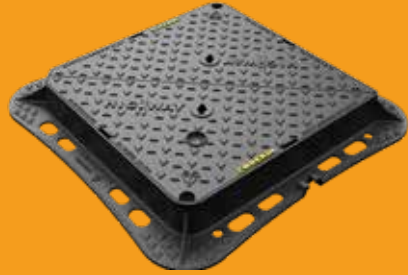
70+ PSRV

Tested and proven to achieve in excess of 70+ PSRV (Polished Slip/Skid Resistance Value) at the top surface of the chequer, by both WRC and UKAS accredited third party using the CD534 and pendulum test methods

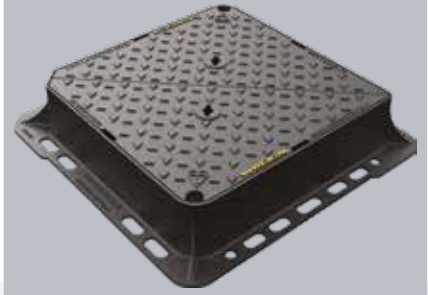
UNITE



HIGHWAY



TRISTAR





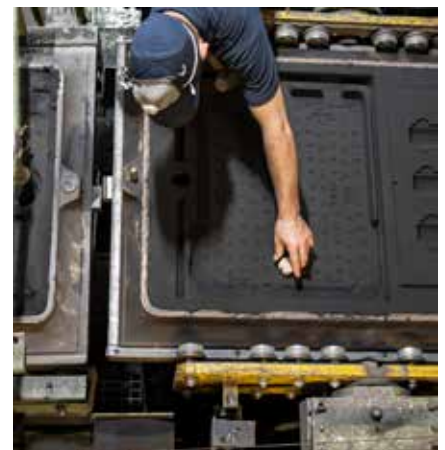
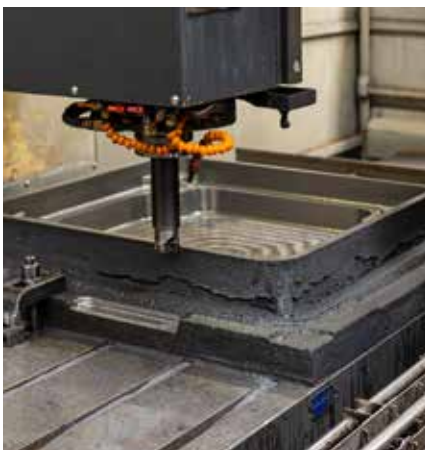
Discover how our covers are made

wrekin.in

WREKIN MANUFACTURE

With a strong focus on quality, innovation, and sustainability, we have consistently delivered exceptional solutions to meet the ever changing needs of our customers.

Our manufacturing capabilities encompass a range of essential processes, including material selection, quality control, production of product patterns, and processing of the end product. Here, we will delve into the details of these capabilities, showcasing the excellence that defines our products.

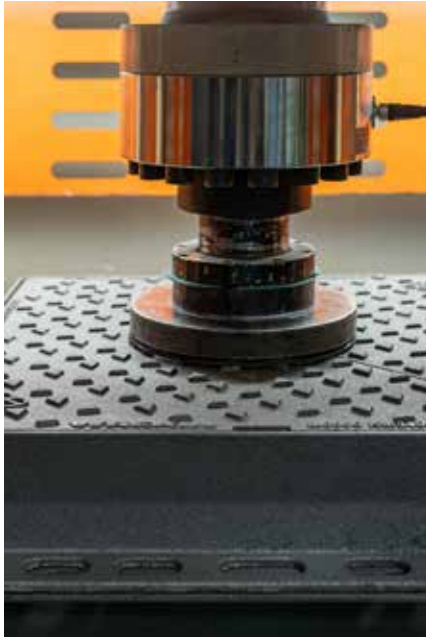


MATERIAL SELECTION

The foundation of all our high-quality products lies in the selection of materials. We understand that durability and performance are paramount in the civil engineering industry, and so, our material selection process is meticulous.

Our expert team of engineers and material specialists works closely to identify the most suitable materials for our products. We focus on factors like load-bearing capacity, corrosion resistance, and long-term durability.

Our materials are sourced from reputable suppliers, ensuring that we maintain the highest standards of quality.



QUALITY CONTROL

Quality control is an integral part of our manufacturing process. We employ rigorous quality control measures to maintain the consistency and reliability of our products.

Our quality control teams use state-of-the-art testing equipment to ensure that every product meets or exceeds industry standards. From raw material inspections to final product testing, we leave no room for compromise.

This commitment to quality has earned us a reputation for providing reliable and long-lasting products.

As an ISO 9001 accredited organisation we take our commitment to quality seriously. Our policies and procedures are routinely audited as we strive to provide our customers with the quality they have come to expect.

PRODUCTION OF PRODUCT PATTERNS

The production of product patterns is a critical step in the manufacturing process for items like manhole covers and gully gratings. We invest in advanced design and pattern-making technology to create precise and intricate patterns that meet the unique requirements of each product.

These patterns serve as the blueprint for the production process, ensuring that every item we manufacture is consistent in design and dimensions. Our skilled craftsmen and engineers work together to produce patterns that not only meet functional requirements but also exhibit aesthetic appeal.

PROCESSING OF THE END PRODUCT

The processing of the final product is where our manufacturing capabilities truly shine. Our cutting-edge manufacturing facilities are equipped with advanced machinery and skilled operators who transform raw materials and patterns into the final product.

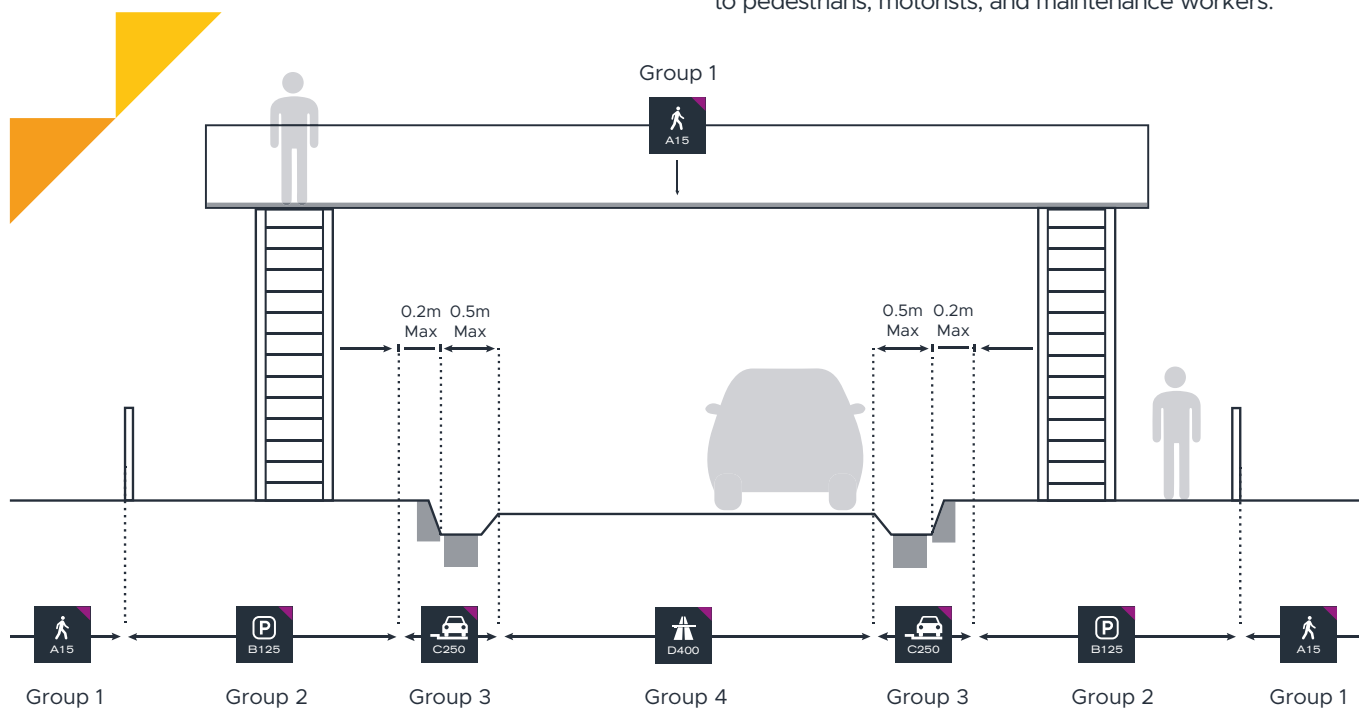
From casting and moulding to finishing processes, we pay keen attention to detail at every stage. Our commitment to precision and efficiency results in products that are not only functionally superior but also aesthetically pleasing.

STANDARD CLASSIFICATION

Selecting the appropriate load classification for manhole covers and gully grates is a critical consideration in urban infrastructure planning and construction.

These components play a vital role in ensuring the safety and functionality of highways, paths, and drainage systems. The right load classification ensures that these covers and grates can withstand the anticipated traffic loads and environmental conditions, preventing accidents, structural damage, and costly repairs.

Product standards and regulations serve as the cornerstones of quality assurance and public safety. These standards define the criteria for materials, design, load-bearing capacity, and performance. By adhering to or exceeding these standards, Wrekin contribute to the reliability and longevity of our roads, bolstering the resilience of infrastructure while minimising risks to pedestrians, motorists, and maintenance workers.



| Loading | BS EN 124 | |
|--|---------------|-----------|
| | Minimum Class | Test Load |
| Group 6 Areas imposing particularly high wheel load | F900 | 900kN |
| Group 5 Areas imposing high wheel loads | E600 | 600kN |
| Group 4 Carriageways of roads (heavy-duty) | D400 | 400kN |
| Group 3 Gully tops in kerbside channels of roads, combined kerb and drainage units | C250 | 250kN |
| Group 2 Foot-ways, pedestrian areas etc. | B125 | 125kN |
| Group 1 Areas inaccessible to motor vehicles | A15 | 15kN |

STANDARDS AND REGULATIONS

BS EN 124:2015

“Gully tops and manhole tops for vehicle and pedestrian areas. Parts 1 to 6.”

- ▶ Contains the essence of the 1994 standard together with the introduction of some new, additional tests. For iron castings, these additional tests comprise of cover stability under edge loads and resistance to unauthorised chamber access by minors.
- ▶ Separate requirements for products made of different materials.
- ▶ This standard is published and available for purchase from BSI.
- ▶ The European Commission (and the UK) has yet to harmonise (equivalent to UK Designation) this standard and therefore CE (UKCA) marking does not currently apply.
- ▶ All of Wrekin's manhole cover and gully grating castings conform to this standard. Wrekin was the first company nationally to have its ironwork range Kitemarked to this standard.



BS 7903:2020

“Guide to selection and use of gully tops and manhole covers for installation within the highway.”

- ▶ A normative document referenced in Highways England (and Dept. for Infrastructure N.I., Transport for Scotland, Welsh Government) Technical Regulation CD534.
- ▶ Provides narrative and expands on the requirements of BS EN 124 based on independent research and understanding gained since publication of its 1997 version, in order to facilitate more informed BS EN 124 product selection.
- ▶ Provides guidance or recommendations on subject matter such as; product third party certification, pre-service loads & protection, effects of corrosion on surrounding surfacing, other advantageous properties of installation materials, recommended Frame Flange Gusset profiles, consideration of Cover, Frame and Assembly safety lifting provisions.
- ▶ In support of National Highways MCHW Series 500 bedding mortar properties, this Standard also makes reference to the maximum 2.1N/mm² bedding pressure cited in the former Highway Agency DMRB document HA104/09.

DMRB CD 534 VO.1.0

“Chamber tops and gully tops for road drainage and services (formerly HA 104/09).”

- ▶ Based on leading research, it contains requirements over and above those in BS EN 124 for Skid Resistance.
- ▶ The updated document stipulates only one type of skid resistance test for covers with raised chequer. Previously it could be satisfied with the conventional pendulum test
- ▶ It specifies the traffic volume threshold where D400 load-class covers should be upgraded to E600.
- ▶ The requirements include, but are not limited to; moving ironwork from carriageway locations, citing minimum frame depths, frame weights, frame flange areas, skid resistance for defined traffic types, gully waterway area, etc.
- ▶ This document contains the requirements for road chamber top and gully top installations on motorway and all-purpose trunk roads but its citation in specifications for other road types means that its requirements can also apply to those.

More information about v0.1.0 on the next page.

DMRB CD 526 REV.3

“Spacing of Road Gullies (formerly HA102/17)”

- ▶ Referenced in BS7903:2020 to indicate its use as a guide for BS EN 124 gully grating spacing.
- ▶ Provides scheme designers with information on an individual gully grating's hydraulic capacity for a highway location's expected; rainfall, drainage area(s) and gradient(s) in order to determine the required classification for efficient spacing of gully grating installations.
- ▶ Enables manufacturers to classify their gully grating products based on hydraulic capacity using prescribed formulae.





A GUIDE TO **NATIONAL HIGHWAYS** **CD 534 v0.1.0**

National Highways has updated a significant set of its requirements for manhole covers and gully grates installed on the road network, for which it is responsible.



The document in question is CD 534, which was first released in February 2020 and has now been updated to version 0.1.0.

CD 534 originally replaced HA 104/09 and forms part of National Highways Design Manual for Roads and Bridges (DMRB). CD 534 equally applies to Northern Ireland's Department for Infrastructure, the network managed by Transport for Scotland and the Welsh Government.

FRAME BEDDING PRESSURE ON CHAMBER WALLS

CD 534 recognises that load transfer from the frame to the underlying bedding material is an important factor in determining the lifetime of an installation. To ensure that an adequate area is provided to spread the load, without over-stressing the bedding material, CD 534 sets a minimum flange area for all 600x600mm and 675x675mm manhole cover frames. The required minimum frame flange areas are shown in the table below:

As with HA 104/09, these minimum flange areas equate to the 'nominal bearing pressure' of 2.1N/mm². This was omitted from the first version of CD 534. Nominal bearing pressure is calculated by dividing the 400kN (D400) or 600kN (E600) test load by the flange area.

All Wrekin Highway and Unite ranges comply with this requirement.

| Cover duty | Minimum flange area (mm ²) |
|------------|--|
| D400 | 190,000 |
| E600 | 285,000 |

FRAME WEIGHTS

To ensure frames are stiff enough to resist the loads involved, in this latest version of CD 534, a lower limit of frame mass has been specified for all 600x600mm and 675x675mm manhole cover frames.

All Wrekin Highway and Unite frames satisfy this requirement.

FRAME DEPTH

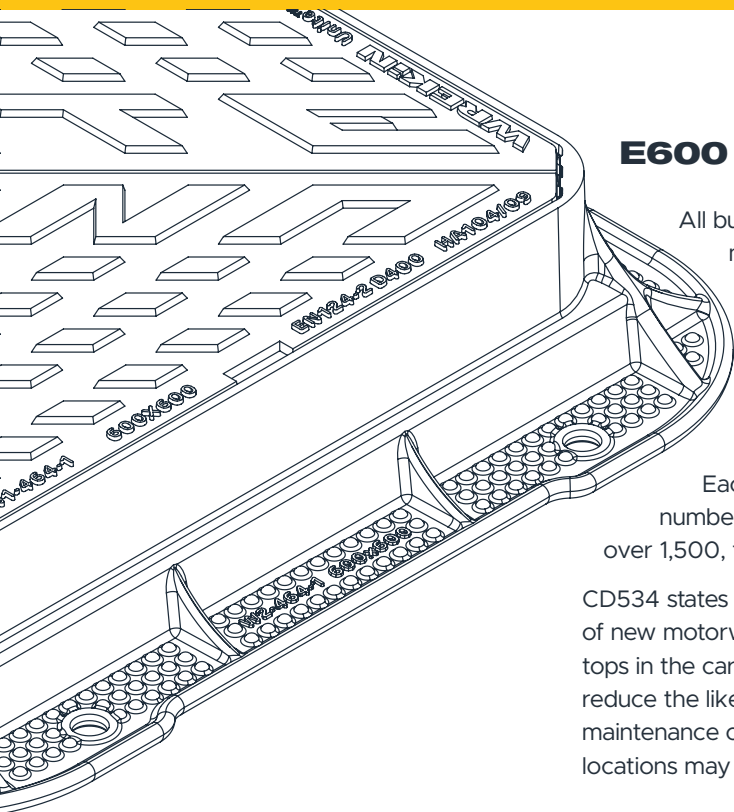
A frame depth of 150mm is now required on all installations on motorways and all-purpose trunk roads.

All Wrekin Highway and Unite ranges are available with 150mm frame depth options.

TESTING OF SKID-RESISTANCE

CD 534 now stipulates only one type of test for covers with raised chequer. Previously it could be satisfied with the conventional pendulum test, which measures the resistance caused to a swinging 'shoe' by the cover surface, or the more recent WRc test, which measures a small tyre's resistance to sideways slip caused by the cover surface. It is now mandatory to demonstrate compliance with the WRc test.

All manhole covers with the Wrekin triangular or Unite chequer satisfy these requirements of CD 534. This means all Wrekin Highway and Unite ranges comply with the requirement.



E600 REQUIREMENTS

All busy roads on the National Highways network require E600 rated manhole covers. This does not affect gully grates which are required to be D400.

The key method to identify if the road is sufficiently busy, is to look at the number of light goods vehicles using that section of road. This data can be found on the Department for Transport website.

Each count point has its own web page on which you can find the number of light goods vehicles using that stretch of road. If this figure is over 1,500, then any new manhole cover will have to be E600.

CD534 states that chamber tops are no longer permitted within the carriageway of new motorways/all-purpose trunk roads and the need for existing chamber tops in the carriageway should be assessed for re-siting. Such re-siting may reduce the likelihood of failure which could otherwise pose a risk to both maintenance operatives and road users. Further, re-siting to less onerous locations may also allow the use of lower load grade manhole covers.

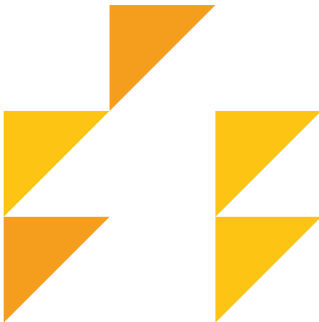


WHAT IS THE BSI KITEMARK™

The BSI Kitemark is a third party certification mark used as an independent verification indicator of conformance to a particular standard.

It is a UK product and service quality trademark which is owned and operated by the British Standards Institution (BSI).

The Kitemark is most frequently used to identify products where safety is paramount, such as crash helmets, smoke alarms, flood defences and, relevant to Wrekin, access covers.



WHY DOES IT MATTER

The BS EN 124:2015 standard for manhole covers and gully grates does not currently incorporate a requirement for UKCA (CE) marking. In the absence of a requirement for UKCA or CE marking, which would require independent product testing, the CEN's EN 124 and BSI's BS 7903 technical committees stress that products which conform to the BS EN 124:2015 standard should be assessed by an independent certification body, to provide assured conformance.



BSI's Kitemark third party certification mark is also important as it serves to indicate that the product has been independently verified as conforming to a particular standard. However, it is important to note that a particular standard may also stipulate mandatory markings. In Wrekin's case, the standard is BS EN 124 and it requires the following minimum markings to be present on a product:

- ▶ Number of this European Standard EN 124-2
- ▶ Appropriate class (e.g. D 400)
- ▶ Name and/or identification mark of the manufacturer
- ▶ Factory of manufacture which may be in code
- ▶ Date or week and year of manufacture (coded or not coded)
- ▶ For covers factory filled with concrete marking relating to the freeze/thaw resistance (+R), if applicable (see EN 124-4:2015)

Wrekin led the field in this, by being the first company in the world to achieve the BSI Kitemark for BS EN 124-2:2015 for its entire ductile iron access cover & grating range.

Further, Wrekin have long been a technical leader in the field of highway ironwork and were heavily involved in helping to define the revised requirements of BS EN 124-2:2015 and the BSI Kitemark scheme for it.

WHAT SHOULD I LOOK OUT FOR

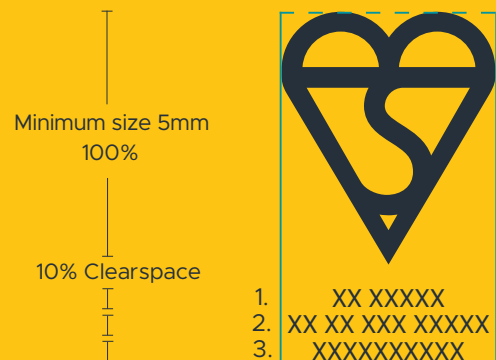
(IN ADDITION TO THE ABOVE BS EN 124 MARKING REQUIREMENTS)

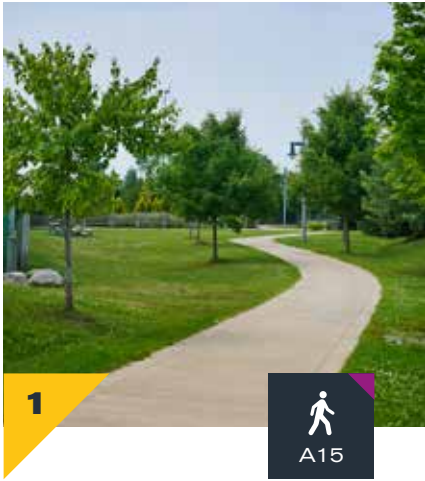
BSI stipulate a number of guidelines which must be followed when displaying their Kitemark on a product. This is to provide end customers, or those inspecting the product with proof that the product in question does conform. These rules include:

- ▶ The BSI Kitemark logo must be displayed with the licence number and product standard displayed ideally, underneath but, otherwise, closely located together to indicate their association and to also disassociate them from other standard's markings on the same product.
- ▶ The BSI Kitemark licence number and logo should be displayed in the same colour.
- ▶ The BSI Kitemark logo and licence text must be of a size that is fully legible (minimum size 5pt).

BSI Kitemark™ product logo

Align vertically





GROUP 1
CLASS A15 - MINIMUM

Manhole covers and gratings capable of withstanding a 1.5 tonne test load. For use in areas which can only be used by pedestrians and cyclists.

See page 77.



GROUP 2
CLASS B125 - MINIMUM

Manhole covers and gratings capable of withstanding a 12.5 tonne test load. For use in foot-ways, pedestrian areas and comparable areas such as car parks.

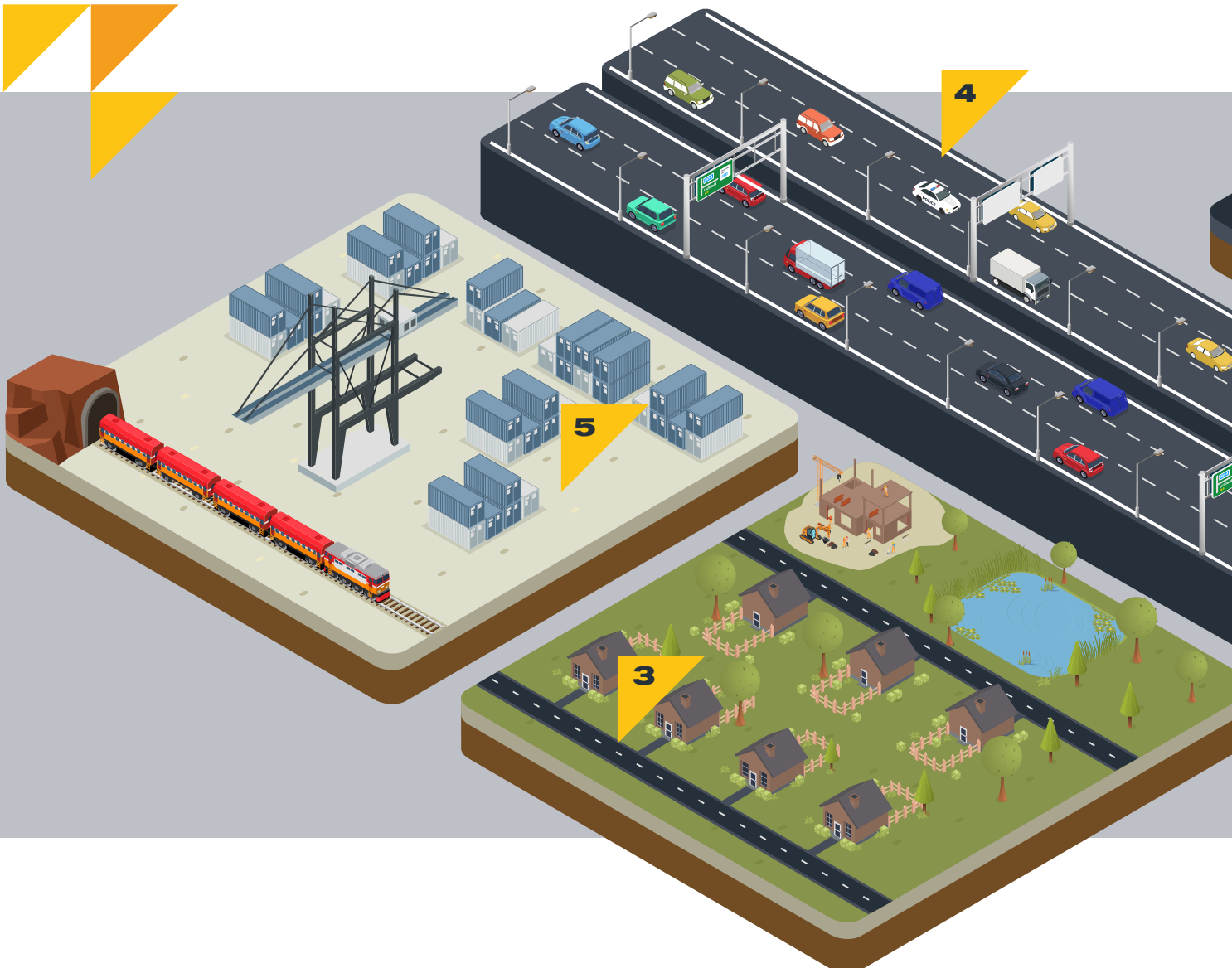
See page 71.



GROUP 3
CLASS C250 - MINIMUM

Manhole covers and gratings capable of withstanding a 25 tonne test load. For installation no more than 500mm from the kerb face into the carriageway.

See page 67.





GROUP 4
CLASS D400 - MINIMUM

Manhole covers and gratings capable of withstanding a 40 tonne test load. For use in areas where pneumatic-tired cars and lorries have access, including carriageways, hard shoulders and pedestrian areas. All units to be either non rock or silent in operation.

See page 45.



GROUP 5
CLASS E600 - MINIMUM

Manhole covers and gratings capable of withstanding a 60 tonne test load. For use in areas where heavy wheel or high point loads from pneumatic and non-pneumatic-tired vehicles are imposed, such as loading areas or docks.

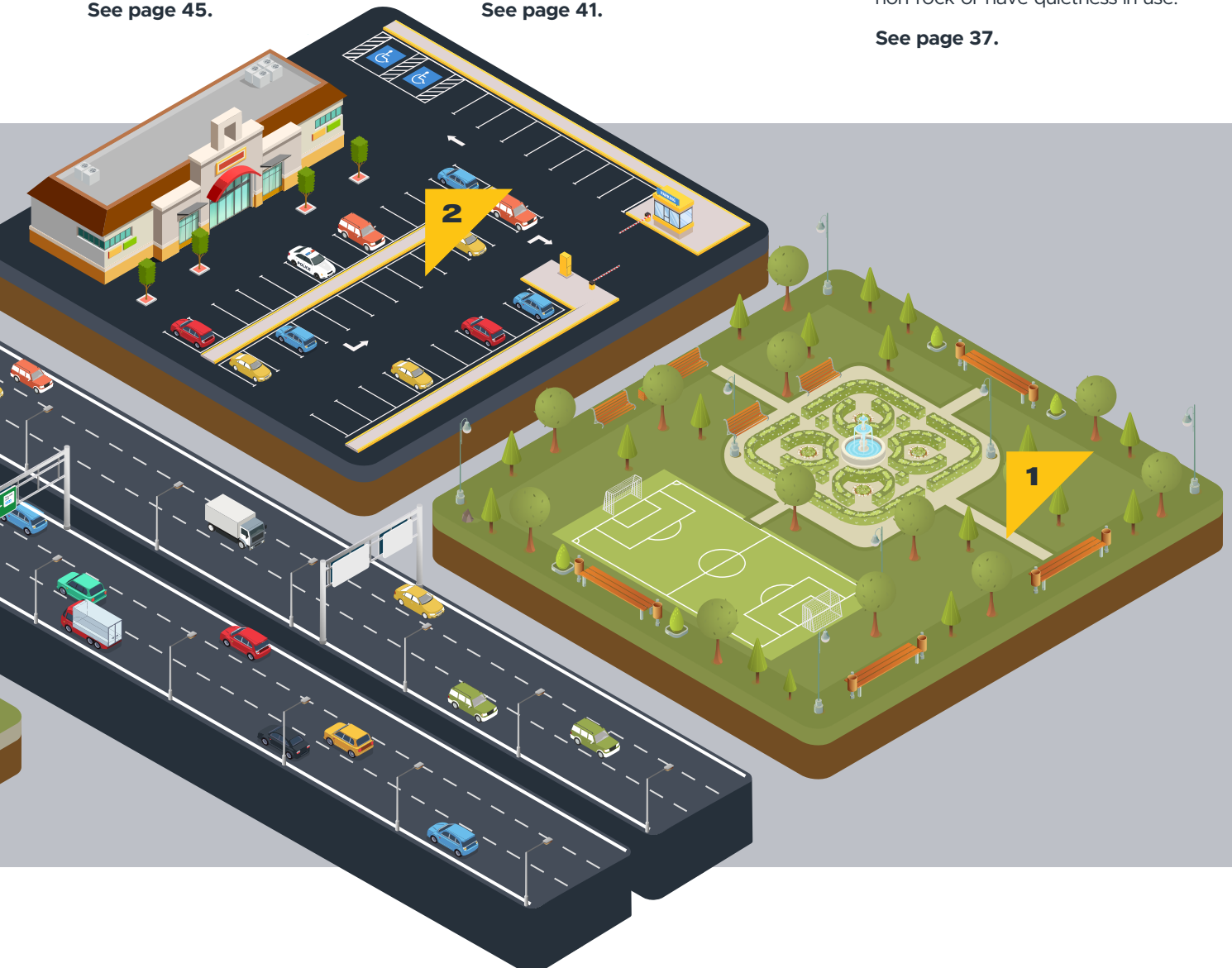
See page 41.



GROUP 6
CLASS F900 - MINIMUM

Manhole covers and gratings capable of withstanding a 90-tonne test load. For use in areas where very heavy wheel or high point loads from pneumatic and non-pneumatic-tired vehicles are imposed, such as aircraft pavements. All units are to be either non-rock or have quietness in use.

See page 37.



THE ULTIMATE HOUSEBUILDER PACKAGE



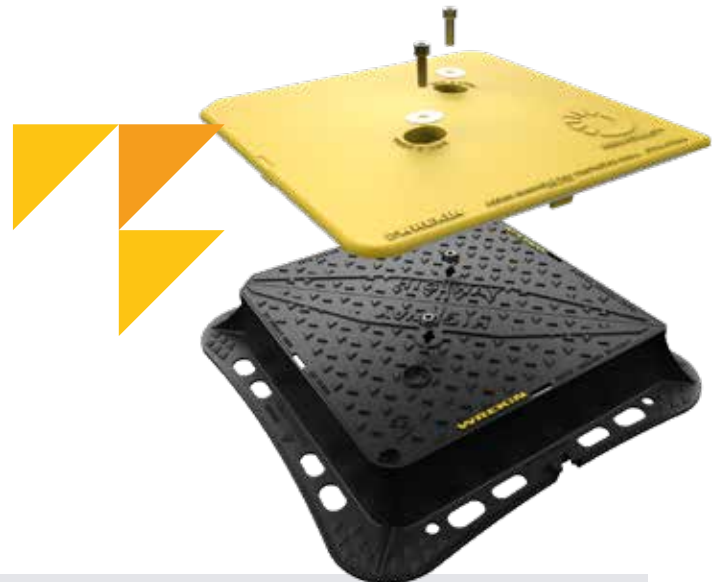
ARMADILLO THE HARD HAT FOR YOUR IRONWORK

Armadillo is a complete range of protector shells, designed to be placed over manhole covers and gully grates to provide enhanced protection during the construction phase.

Armadillo provides protection from construction site traffic, including tracked vehicles, and can be easily removed when the final surfacing is completed. This ensures manhole covers and gully grates can start their service life in 'as new' condition to optimise longevity.

MEET THE RANGE

- ▶ Armadillo manhole cover protector shell is a reusable shell that is compatible with both Highway and Tristar manhole covers.
- ▶ Armadillo gully grate protector shell is compatible with Tristar gullies when installed proud of the binder course.



Armadillo offers benefits for everyone that bring cost, time and effort savings. In fact, all involved in the process of specifying, procuring, installing and maintaining ironwork and drainage systems will find benefits.

- ▶ **No jet washing**
Save valuable time and money by eliminating the need to jet wash debris from manhole chambers.
- ▶ **No cracked ironwork**
Significantly reduces the risk of cracking to ironwork which can lead to rejection by adopting authorities.
- ▶ **No unidentified ironwork**
The bold yellow coated shell make it easier for operatives to identify and avoid ironwork.
- ▶ **No silt**
Helps to stop coarse debris from entering the chamber and drainage system, at the source.
- ▶ **No need for specialist teams**
Removes the need for specialist teams and specialist equipment saving time, resources and money.
- ▶ **No excavation**
When used with Clicklift, ironwork can be fitted right first time, removing the need to excavate to raise or reinstall.

[View the range - Page 90](#)

CLICKLIFT

RAPID FRAME RAISING SYSTEM

Clicklift removes the time and resources required to dig out and reinstall manhole frames to suit the final adoptable road surface. This eliminates the potential damage to manhole covers during construction, minimises disruption and removes the potential for residents claims for damage to their vehicles.

Clicklift provides housing developers and contractors with huge savings in terms of time, money and hassle. Allowing whole estates to have their covers raised to the final surfacing level, in as little as a few hours.

Available with four fixed incremental raising heights, 30mm, 40mm, 50mm and 60mm, Clicklift offers contractors and developers huge time and cost savings, as well as eliminating common nuisance issues for residents on new build developments.



Saves up to 80% of installation costs



Saves weeks of re-installation time, raising covers for asphaltting



Substantially reduces site operatives' and home owners' exposure to risk.



“ We initially ordered 20 Clicklift frames but, as soon as we realised how good they were to use, **we adopted the system for the whole of the scheme. The system has worked extremely well for us** and we were impressed with how much it reduced costs and saved time.

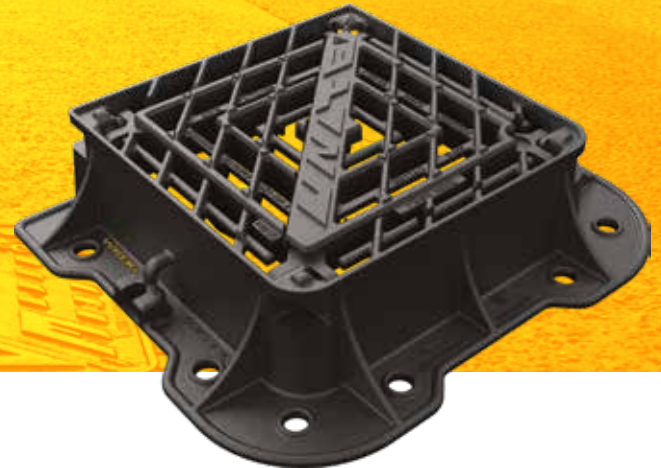
Everyone thought it was a good product. We even had four or five different people involved in construction who came to see it and all were impressed. ”

Robin Guild,
Operations Director, Guild Homes

[View the range - Page 88](#)

A QUALITY ABOVE THE REST

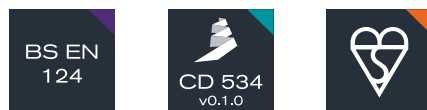
UNITE MANHOLE COVERS AND GULLY GRATES



Unite was created by utilising a scientific approach to access cover design. By analysing where forces are applied to the cover, we were able to create a design that overcame the most common causes of failure. Providing an ultra-durable cover that we're so confident in, we can supply it with a 10 year warranty.

Key to Unite's longevity is minimising seat wear between covers/gratings and frames. The range has the stiffest cover/grating structure in its class and on top of this, seating which is less vulnerable to any movement caused by covers and gratings flexing.

Unite has also been designed to work sympathetically with bedding mortars, reducing stresses on the frame foundation – identified by WRC as a major cause of manhole cover failure. To increase surface contact with bedding materials the underside of the Unite frame features an engineered tread pattern, and to inhibit crack initiation all contours of the Unite frame, where it engages with the bedding materials, are fully rounded.



Engineered for a sustainable future:

- ▶ In service on highways for over 20 years
- ▶ Over 500,000 installations with zero reported failures
- ▶ Cover and grating designs substantially reduce seat wear
- ▶ Frame features are sympathetic to bedding materials
- ▶ Retrofittable sealing plate available (references ending in "/KUE")
- ▶ Exceeds BS EN 124
- ▶ Complies with DMRB, CD 534 v0.1.0 and Series 500
- ▶ Kitemarked by BSI
- ▶ 100% recyclable product





MORE THAN 100,000 UNITS SUPPLIED TO THAMES WATER

As a key supplier to Thames Water, whose adoptable assets are installed in some of the most high profile and heavily trafficked roads in the UK, we've managed to reduce their manhole cover failures to 0 through the use of Unite. We have now supplied more than 100,000

Unite units to Thames Water without one recorded failure over a 20-year period. We're incredibly proud of our Unite series and how its pioneering design has been underlined by its fantastic performance.



UNITE IN NUMBERS

Unite is a proven range, in service for over 20 years and offers significant benefits to asset owners, contractors and end users.

Average lifespan

10 YEARS+

Units installed

500,000+

Average lifetime saving

£9,000

10 YEAR WARRANTY

When installed with our Screwlift frame levelling system and either our Unipak polymer resin bedding mortar, or Instarmac Envirobed® CD534 flowable bedding mortar, the Unite range is available with a 10-year product warranty*.

Due to its unique design and overwhelming success in the local authority and utilities sector, Unite is the proven choice for durability and longevity for highway ironwork installations.



* Subject to terms and conditions. For further details please get in touch.

HOW MUCH CAN I SAVE?

Ironwork replacement typically takes around 3 hours*. Studies show the 2,000 users per hour of A-roads are delayed by an average of 4 minutes in roadworks**.

This loss of earnings and productivity equates to over £3,000 per hour. The saving to society of not having a 3-hour-long unnecessary manhole replacement is at least £9,000 and cuts the associated noise, dust and waste.

| | Typical MHC | Unite |
|-------------------------------|---------------------------|-------|
| Approximate cost | £110 | £225 |
| Installation frequency | 2+ | 1 |
| Installation cost | £1,200 | £600 |
| Total cost | £2,620 | £825 |
| Total saving | £1,795 | |
| Sustainable saving | Social cost £9,000 | |

*Based on independent analysis commissioned by a major water utility.

**Statistics collated from Department for Transport & The National Traffic Survey 2014



wrekin.in/unipak

UNIPAK™

RAPID-SET BEDDING MORTAR

Unipak mortar is a rapid-set, high strength bedding mortar designed to prevent bedding failure, and is suitable for all UK BS EN 124-2 applications.

Uniform chamber adjustment units are made from factory cured polymer resin, the same material as Unipak bedding mortar. This gives a 'one material' homogeneous installation, offering superior performance and longevity to the asset owner.



Simple to use

Easy to mix, manipulate and form. Unipak has low notch sensitivity and high slump resistance. Installation is simple, using conventional tools.

View the range - Page 92



Meets and exceeds the standards

Exceeds MCHW Series 500, ideal for BS EN 124 applications (Group 1 to 4), certified for highway use by BBA HAPAS (Highway Authorities Product Approval Scheme).



Early road opening

Unipak cures rapidly, in as little as 25 minutes, reducing inconvenience to road users while minimising operatives' exposure to a potentially hazardous construction environment.



Easy installation and storage

Simple to install with conventional tools. Unopened containers can be stored in a cool, dry location, away from extremes of temperature for up to 9 months.



SCREWLIFT

Screwlift is our simple and rapid manhole frame levelling system, suitable for use with a wide range of our ductile iron manhole covers and gratings.

Screws and plastic bushes are used to allow really quick and easy levelling of manhole covers and gully grates.

The bushes simply push into the holes in the flange, and are adjusted with the levelling screws to the required height. Once in place, either apply the Unipak bedding mortar or Instarmac Envirobed® CD534 flowable bedding mortar.

View the range - Page 94

AS EASY AS 1, 2, 3!



PUSH

Insert the plastic bush through the underside of the manhole cover frame.



LEVEL

Use the included allen key or screwdriver bit to raise or lower the frame.



MORTAR

Use a flowable mortar, or hand application of a stiff mortar such as Unipak, to finish the job.



GRITBLOCKER

Access cover keyways filled with debris can lead to incorrect lifting of a manhole covers out of the ground, creating a health and safety risk. Fixing this can take time and can be potentially dangerous to operatives.

View the range - Page 94



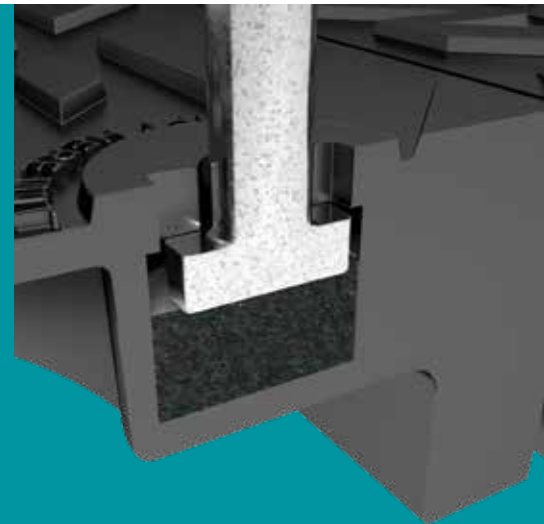
THE PROBLEM

Manhole keyways often fill up with dirt and debris, preventing the insertion of lifting keys.



THE SOLUTION

GritBlocker fills the keyway pocket and prevents debris ingress, whilst allowing the insertion of lifting keys.



wrek.in/gritblocker















MARKINGS AND ICONS

In our pursuit of enhancing user experience and ensuring the safety and efficacy of our offerings, we have integrated a system of informative icons directly into the molding of our products.

These unobtrusive symbols serve as invaluable notifiers, delivering crucial guidance to both users and installers. From installation instructions to load-bearing capabilities, corrosion resistance, and more, our products whisper their secrets to those who know where to look.

Explore this innovative approach to product communication, that sets our offerings apart and empowers you with the knowledge you need for successful implementation and long-lasting performance.

| | | | |
|---|---|---|--|
|  | Secure the frame using anchor bolts or cement |  | Open or close the lock in steps |
|  | Do not stand here |  | The frame can be prised from this location |
|  | Direction of traffic in relation to the product |  | Danger of electric shock |
|  | Heavy product |  | Knock out material as required |
|  | Mechanical lift hook point |  | Indicates the indexed corner |
|  | Lifting key point |  | Place mortar through the hole in the frame |



Health & Safety



Installation



Standards & Certification



Locking bolts can be added



Close the lock



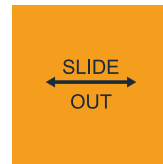
The direction of the lock switch



Direction in which vehicles should travel in relation to the cover



Screwlift can be installed from this location



Slide out cover direction



Drill point



Direction of the lock switch



Open the lock



An eye bolt can be used here to hoist the frame



Product carries the BSI Kitemark (see product frame for further details)



The parts can be recycled



Loss Prevention Certification Board certified



Ecology symbol for polypropylene recycling



Celebrating Wrekin's 40th birthday anniversary





F900 CONTENTS

Access covers and gratings capable of withstanding a 90-tonne load test.

For use in areas where very heavy wheel or high point loads from pneumatic and non-pneumatic-tired vehicles are imposed, such as aircraft pavements.

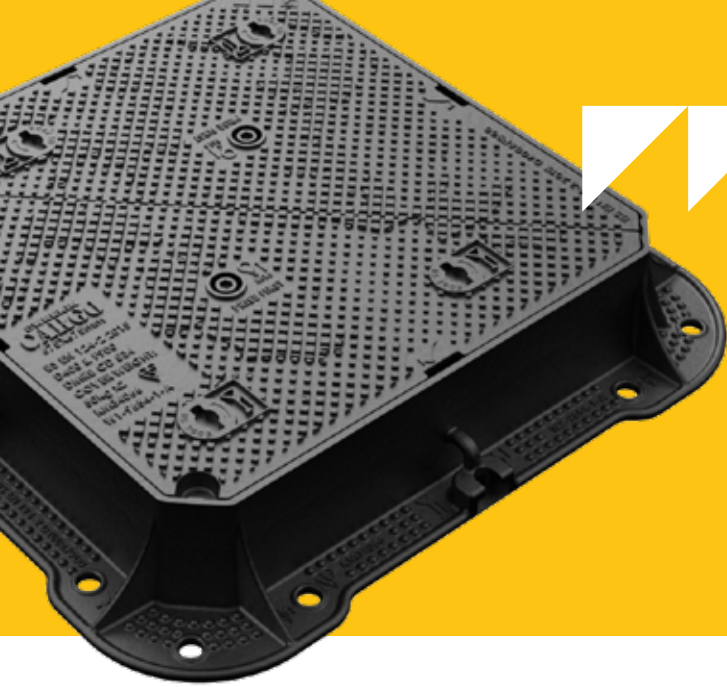
All units are to be either non-rock or have quietness in use.

Manhole covers

Cargo

37



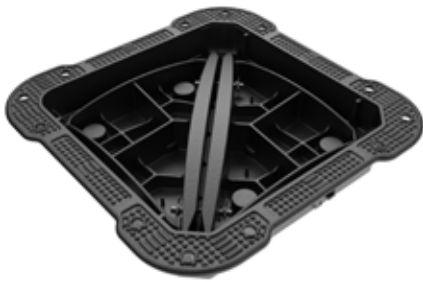


CARGO

F900 MANHOLE COVERS

Designed to withstand extreme loads, the F900 Cargo Manhole Cover ensures longevity and reliable performance in areas with intense vehicular traffic.

Versatile and purpose-built, this range offers a practical solution for a variety of F900 applications. Cargo is a powerful combination of strength, durability, and reliability that exceeds industry standards. Upgrade your critical installations with confidence, knowing you have the best-in-class solution for demanding environments.



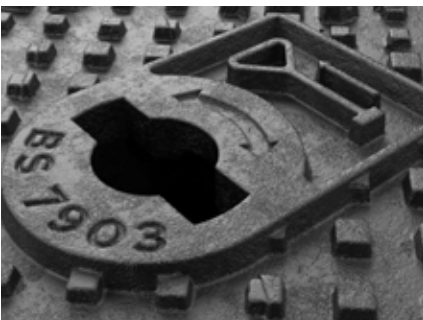
High rigidity support beams result in lower seat wear, improved longevity and lighter covers.



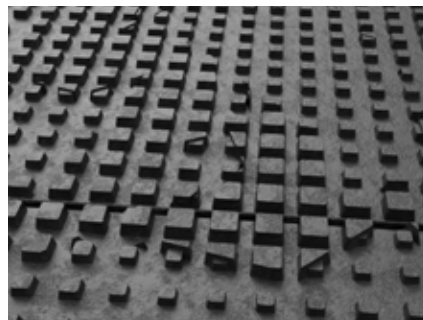
Mechanical lifting points are provided.



Enlarged frame corners help to dissipate loads onto the foundation, providing a longer service life and increased reliability.



Safety keyway prevents accidental disengagement of the lifting key during the handling process.



70+PSRV tested at top surface of chequer by UKAS accredited 3rd party.

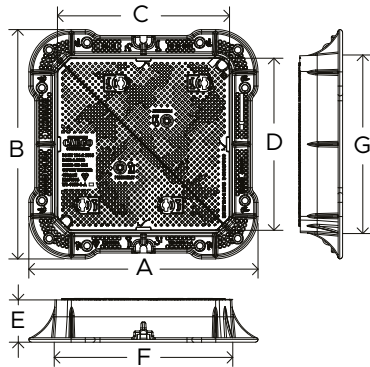
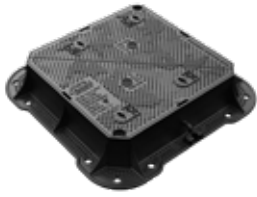
Available Options:

- ▶ Locking
- ▶ Badged (e.g. 'SW', 'FW' etc.)
- ▶ Ventilation holes
- ▶ Safety grille

Available Accessories:

- ▶ p94: Screwlift™
- ▶ p95: BS 7903 lifting keys
- ▶ p96: Low leak sealing plate
- ▶ p96: No leak sealing plate

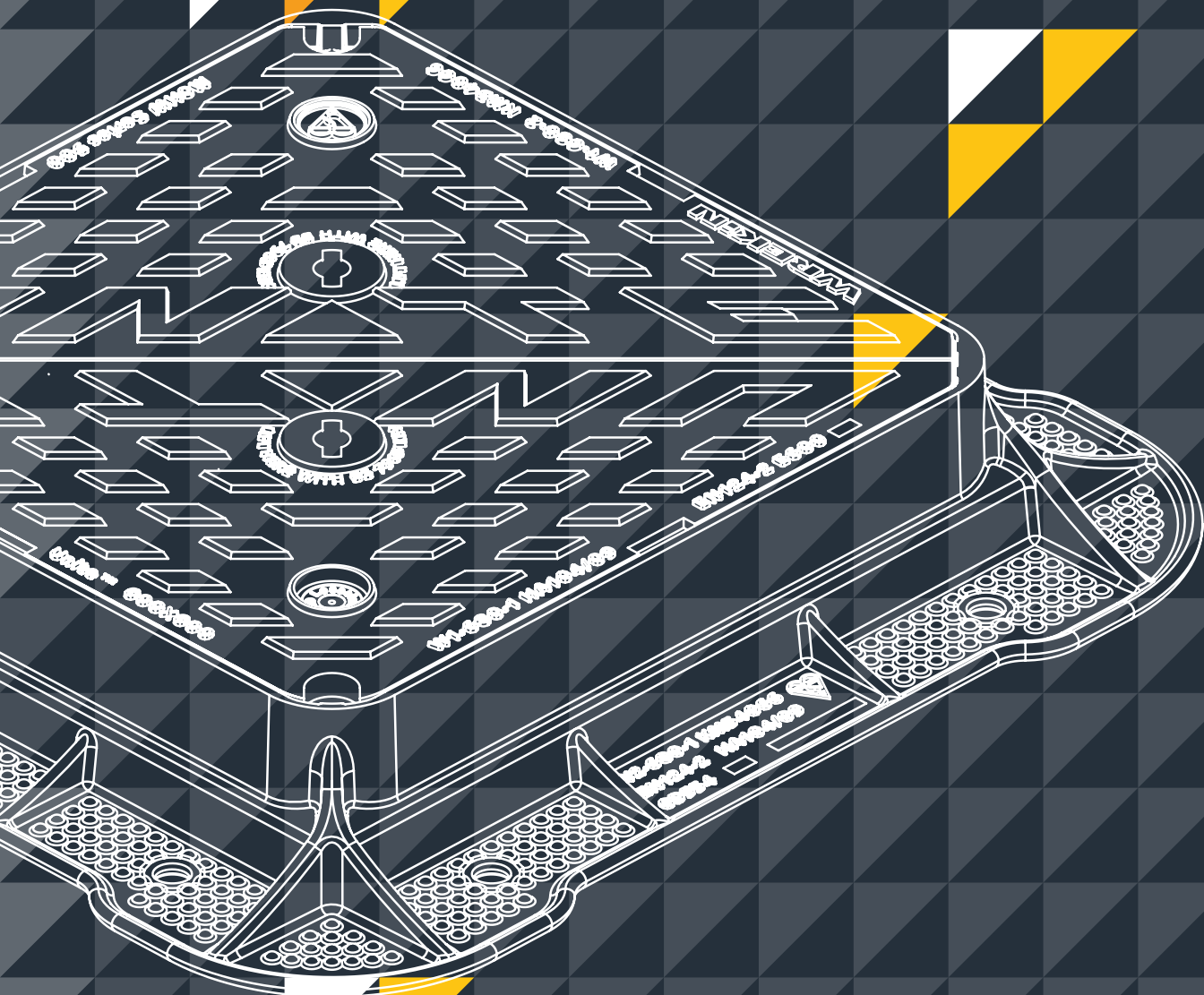
CARGO F900 MANHOLE COVERS
RECTANGULAR OPENING



Product Features

- ▶ 70+PSRV tested at top surface of chequer.
- ▶ Anti-flex covers prevent the causes of cover seating wear, eliminating excessive noise and catastrophic failure.
- ▶ Mechanical lifting points are provided.
- ▶ Indexed covers ensure correct fit first time, every time.
- ▶ Specially designed cover support geometry reduces movement relative to the frame, minimising seating wear.
- ▶ Meets CD 534 v0.1.0 flange area requirements & less than 2.1 N/mm² bearing pressure.

| STOCK CODE | OVERALL FRAME (A x B mm) | CLEAR OPENING (C x D mm) | FRAME DEPTH (E mm) | BASE OPENING (F x G mm) |
|-----------------|-----------------------------|-----------------------------|-----------------------|----------------------------|
| DMT0F6/6060/KCA | 815 x 815 | 610 x 610 | 150 | 635 x 635 |
| DMT0F6/6767/KCA | 890 x 890 | 685 x 685 | 150 | 710 x 710 |






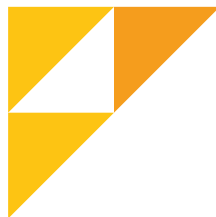


E600 CONTENTS

Manhole covers and gratings capable of withstanding a 60 tonne load test.

For use in areas where heavy wheel or high point loads from pneumatic and non-pneumatic-tired vehicles are imposed, such as loading areas or docks.

| | | |
|---|-----------------------|-----------|
|  | Manhole covers | |
| <hr/> | | |
|  | Unite | 41 |
| <hr/> | | |
|  | Highway | 43 |





UNITE™

E600 MANHOLE COVERS

Simply the best performing E600 manhole cover range available. The unique features designed into Unite combine to give it an exceptionally long life and low whole-life cost. Designed and manufactured to exceed BS EN 124 and Highways England's Design Manual for Roads and bridges (DMRB) specification CD 534 v0.1.0 (formerly HA 104/09), MCHW and Series 500.

ENGINEERED FOR AN EXCEPTIONALLY LONG LIFE:

- ▶ Unite has over 20 years and 500,000 installations with zero reported failures
- ▶ A unique cover design substantially reduces seat wear
- ▶ Frame features that are sympathetic to bedding materials
- ▶ Fully compliant with BS EN 124-2:2015
- ▶ Complies with DMRB, MCHW and Series 500.
- ▶ Meets the requirements CD 534 v0.1.0. For more information see page 20.
- ▶ Kitemarked by BSI
- ▶ 100% recyclable product



TEXTURED FLANGE SURFACE FIT AND FORGET

Both the top and bottom of the flange surfaces provide a textured finish, increasing surface area. This helps to reduce compression stress, and negates the need for adhesion through mechanical interlock with the bedding mortar. We also built in a round edged frame as standard to prevent sharp edges from cutting into and cracking mortar away over time, extending service life.



Yellow colour for emphasis only, final product is black.

SEAL PLATES RETROFIT AS STANDARD

Low leak and no leak seal plates can be retrofitted to the Unite range as an optional extra. This enables contractors to simply return to an installation and install the required sealing plate with minimal disruption and inconvenience.

See page 96



UNIVERSAL BEAM A STRENGTH ABOVE THE REST

Developed using advanced computer modelling and testing, this technology, incorporated in bridge and building construction, offers maximum strength and stiffness, helping to eliminate seat wear normally caused by vertical cover deflection under traffic loads.

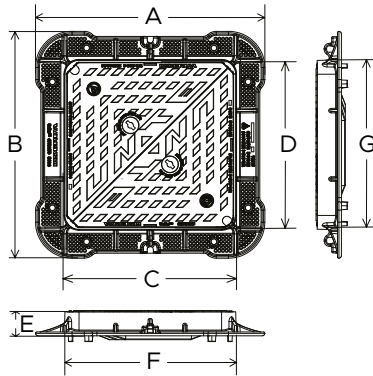
Available Options:

- ▶ Locking
- ▶ Badged (e.g. 'SW', 'FW' etc.)
- ▶ Ventilation holes
- ▶ High pressure no leak plates
- ▶ Safety grille
- ▶ Enhanced anti-slip coating

Available Accessories:

- ▶ p94: Screwlift™
- ▶ p95: BS 7903 lifting keys
- ▶ p96: Low leak sealing plate
- ▶ p96: No leak sealing plate

UNITE E600 MANHOLE COVERS
RECTANGULAR OPENING



Product Features

- ▶ 70+PSRV tested at top surface of chequer.
- ▶ Anti-flex covers prevent the causes of cover seating wear, eliminating excessive noise and catastrophic failure.
- ▶ Mechanical lifting points are provided.
- ▶ Indexed covers ensure correct fit first time, every time.
- ▶ Specially designed cover support geometry reduces movement relative to the frame, minimising seating wear.
- ▶ Gritblocker™ anti-blockage keyway insert comes pre-installed.
- ▶ Meets the requirements CD 534 v0.1.0. For more information see page 20.

| STOCK CODE | OVERALL FRAME (A x B mm) | CLEAR OPENING (C x D mm) | FRAME DEPTH (E mm) | BASE OPENING (F x G mm) |
|-----------------|--------------------------|--------------------------|--------------------|-------------------------|
| DMTOE4/6060/KUE | 880 x 880 | 600 x 600 | 100 | 655 x 655 |
| DMTOE4/6767/KUE | 945 x 945 | 675 x 675 | 100 | 730 x 730 |
| DMTOE6/6060/KUE | 880 x 880 | 600 x 600 | 150 | 655 x 655 |
| DMTOE6/6767/KUE | 945 x 945 | 675 x 675 | 150 | 730 x 730 |



HIGHWAY

E600 MANHOLE COVERS

Highway is our most versatile range of manhole covers and gully grates, with a solution for every scenario, including the most complex projects.

Its vast variety of options makes it the most extensive range of robust highway ironwork available in the UK, which our customers rely on to deliver a high quality and long-lasting performance.



70+PSRV tested at top surface of chequer.



Enlarged frame corners help to dissipate load minimising bearing pressure.



Indexed corners ensure correct orientation first time, every time.



Safety keyway prevents accidental disengagement of the lifting key during the handling process.



Can be retrofitted with a customer or application specific ID badge.

Available Options:

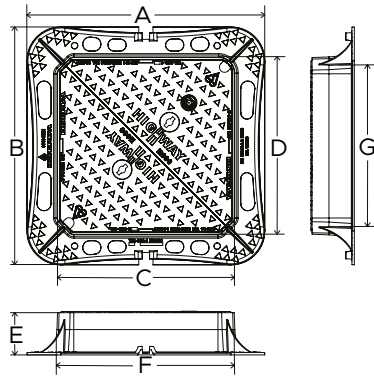
- ▶ Locking
- ▶ Badged (e.g. 'SW', 'FW' etc.)
- ▶ Ventilation holes
- ▶ Floor & odour control plates
- ▶ Safety grille
- ▶ Enhanced anti-slip coating

Available Accessories:

- ▶ p94: Gritblocker™
- ▶ p94: Screwlift™
- ▶ p95: BS 7903 lifting keys

HIGHWAY E600 MANHOLE COVERS

RECTANGULAR OPENING



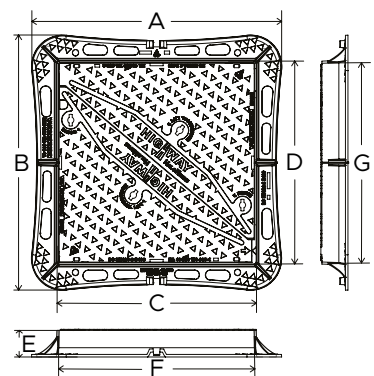
Product Features

- ▶ 70+PSRV tested at top surface of chequer.
- ▶ Enlarged frame corners help to dissipate load minimising bearing pressure.
- ▶ Indexed corners ensure correct orientation first time, every time.
- ▶ Mechanical lifting points are provided.
- ▶ Can be retrofitted with a customer or application specific ID badge.
- ▶ Safety keyway prevents accidental disengagement of the lifting key during the handling process.
- ▶ Meets the requirements CD 534 v0.1.0. For more information see page 20.

| STOCK CODE | OVERALL FRAME (A x B mm) | CLEAR OPENING (C x D mm) | FRAME DEPTH (E mm) | BASE OPENING (F x G mm) |
|----------------|--------------------------|--------------------------|--------------------|-------------------------|
| DMTOE4/6060/KH | 845 x 845 | 610 x 610 | 100 | 635 x 635 |
| DMTOE4/6767/KH | 900 x 900 | 685 x 685 | 100 | 710 x 710 |
| DMTOE6/6060/KH | 845 x 845 | 610 x 610 | 150 | 635 x 635 |
| DMTOE6/6767/KH | 900 x 900 | 685 x 685 | 150 | 710 x 710 |
| DMTOE6/1267/KH | 1,460 x 895 | 1,220 x 675 | 150 | 1,245 x 700 |

HIGHWAY HALOHINGE E600 MANHOLE COVERS

RECTANGULAR OPENING

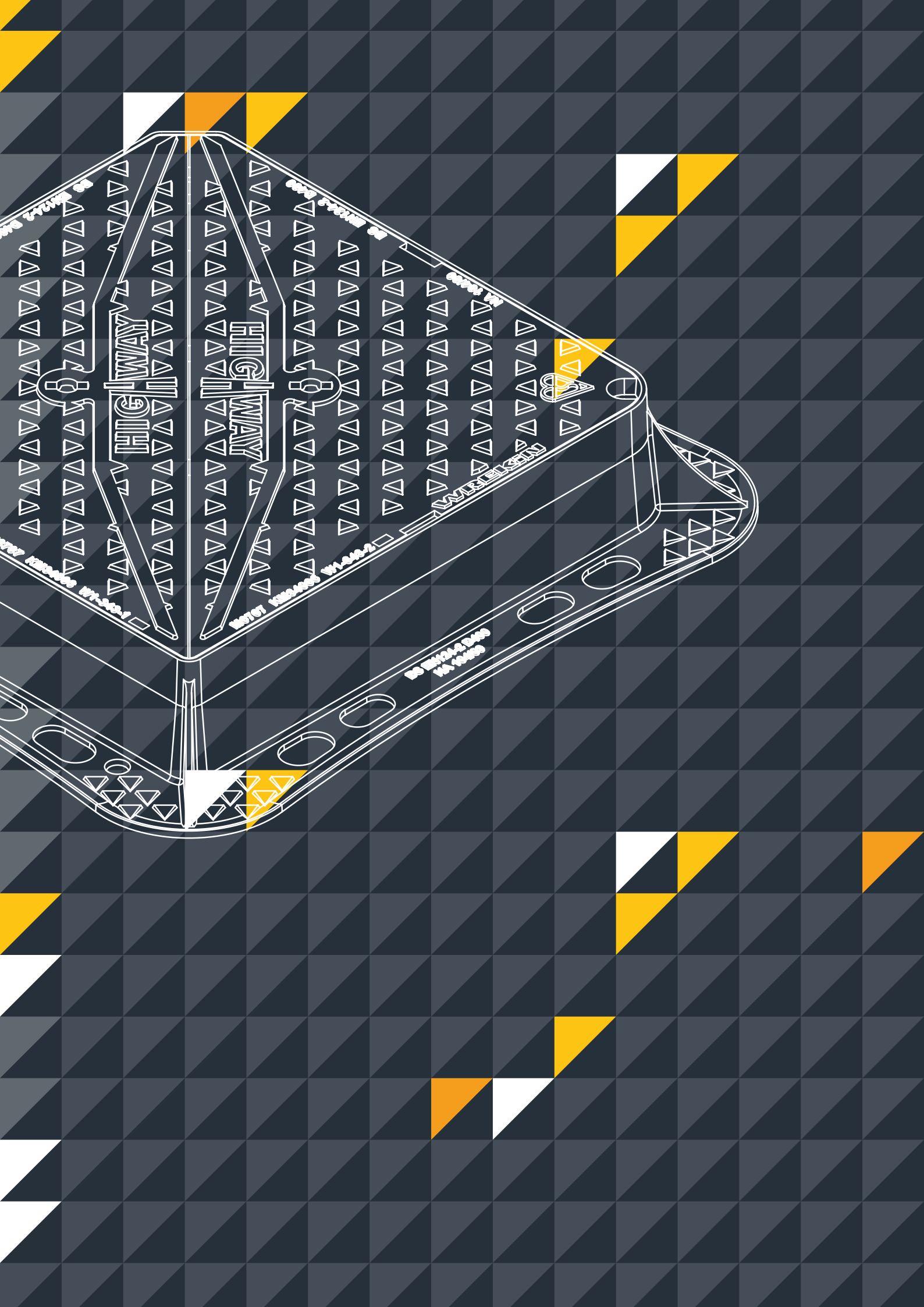


Product Features

- ▶ 70+PSRV tested at top surface of chequer.
- ▶ Enlarged frame corners help to dissipate load minimising bearing pressure.
- ▶ Indexed corners ensure correct orientation first time, every time.
- ▶ Mechanical lifting points are provided.
- ▶ Can be retrofitted with a customer or application specific ID badge.
- ▶ Safety keyway prevents accidental disengagement of the lifting key during the handling process.
- ▶ Meets the requirements CD 534 v0.1.0. For more information see page 20.
- ▶ Sequential cover opening.
- ▶ Safety-stop hinges prevent covers falling once opened.

| STOCK CODE | OVERALL FRAME (A x B mm) | CLEAR OPENING (C x D mm) | FRAME DEPTH (E mm) | BASE OPENING (F x G mm) |
|-------------------|--------------------------|--------------------------|--------------------|-------------------------|
| DMHTOE4/1267/KH | 1430 x 905 | 1220 x 675 | 100 | 1240 x 695 |
| DMHTOE4/6060/KH * | 840 x 840 | 600 x 600 | 100 | 625 x 625 |
| DMHTOE4/6767/KH * | 910 x 910 | 675 x 675 | 100 | 700 x 700 |
| DMHTOE6/1267/KH | 1430 x 905 | 1220 x 675 | 150 | 1240 x 695 |
| DMHTOE6/6060/KH | 840 x 840 | 600 x 600 | 150 | 625 x 625 |
| DMHTOE6/6767/KH | 910 x 910 | 675 x 675 | 150 | 700 x 700 |

* Available on request





D400 CONTENTS

Manhole covers and gratings capable of withstanding a 40 tonne load test.

For use in areas where pneumatic-tyred cars and lorries have access, including carriageways, hard shoulders and pedestrian areas. All units to be either non rock or silent in operation.

Manhole Covers

| | |
|----------|----|
| Unite | 47 |
| Highway | 49 |
| Tristar | 52 |
| Force | 55 |
| Hercules | 56 |
| Vault | 57 |

Gully Grates

| | |
|-------------------------|----|
| Unite | 59 |
| Highway | 61 |
| Highway pedestrian safe | 63 |
| Highway V | 64 |
| Tristar | 65 |





UNITE™

D400 MANHOLE COVERS

Simply the best D400 double-tri access cover range available in the market. Packed full of design features that combine to give Unite an exceptionally long life and low whole life cost. Designed and manufactured to exceed BS EN 124 and Highways England's Design Manual for Roads and bridges (DMRB) specification CD 534 v0.1.0 (formerly HA 104/09).

Available Options:

- ▶ Locking
- ▶ Badged (e.g. 'SW', 'FW' etc.)
- ▶ Ventilation holes
- ▶ Retrofittable high pressure low leak and no leak seal plates
- ▶ Safety grille
- ▶ Enhanced anti-slip coating

Available Accessories:

- ▶ p94: Screwlift™
- ▶ p95: BS 7903 lifting keys
- ▶ p96: Low leak sealing plate
- ▶ p96: No leak sealing plate

Engineered for an exceptionally long life:

- ▶ In service on highways for over 20 years
- ▶ Over 500,000 installations with zero reported failures
- ▶ Unique cover design substantially reduces seat wear
- ▶ Frame features that are sympathetic to bedding materials
- ▶ Exceeds BS EN 124-2:2015
- ▶ Complies with DMRB and Series 500
- ▶ Meets the requirements CD 534 v0.1.0. For more information see page 20.
- ▶ Kitemarked by BSI
- ▶ 100% recyclable product



Internal accessory receiver

Unite incorporates an internal skirt with a sealing face to mate with different specifications of seal plate, depending on the application requirements.

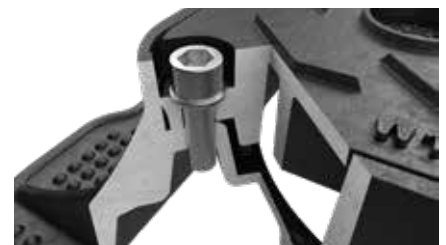
See page 96

Yellow colour for emphasis only, final product is black. Only compatible with references with '/KUE'



Mortar 'gripper' system

The tread feature is proven to be more effective in interlocking with the bedding material than the flat underside flange faces of other products.

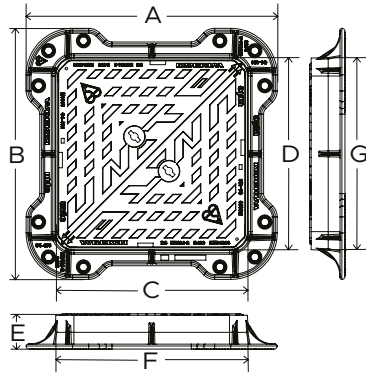


Locking bolt provision

Access to manhole cover and gully chambers can be controlled with the use of factory fitted, highly reliable locking bolts.

UNITE D400 MANHOLE COVERS

RECTANGULAR OPENING

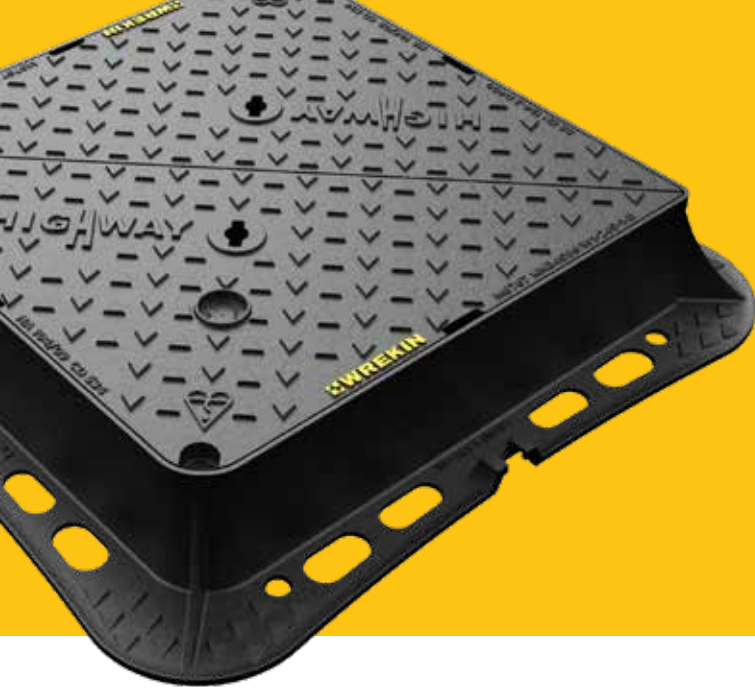


Product Features

- ▶ 70+PSRV tested at top surface of chequer.
- ▶ Gritblocker™ anti-blockage keyway insert comes pre-installed.
- ▶ Textured mortar engagement flange improves the bedding mortar grip to the frame, reducing lateral shift and mortar breakdown.
- ▶ Anti-flex covers prevent the causes of cover seating wear, eliminating excessive noise and catastrophic failure.
- ▶ Specially designed cover support geometry reduces movement relative to the frame, minimising seating wear.
- ▶ Enlarged frame corners help to dissipate load minimising bearing pressure.
- ▶ Safety keyway prevents accidental disengagement of the lifting key during the handling process.
- ▶ Mechanical lifting points are provided.
- ▶ Meets the requirements CD 534 v0.1.0. For more information see page 20.

| STOCK CODE | OVERALL FRAME (A x B mm) | CLEAR OPENING (C x D mm) | FRAME DEPTH (E mm) | BASE OPENING (F x G mm) |
|------------------|--------------------------|--------------------------|--------------------|-------------------------|
| DMTOD4/6060/KU | 810 x 810 | 600 x 600 | 110 | 630 x 630 |
| DMTOD4/6767/KU | 885 x 885 | 675 x 675 | 110 | 705 x 705 |
| DMTOD6/6767/KU | 885 x 885 | 675 x 675 | 150 | 705 x 705 |
| DMTOD6/1267/KU | 1,465 x 920 | 1,220 x 675 | 150 | 1,250 x 710 |
| DMTOD6/1867/KU | 2,075 x 920 | 1,830 x 675 | 150 | 1,860 x 710 |
| DMTOD6/6060/KUE* | 820 x 820 | 600 x 600 | 150 | 655 x 655 |

* Will work with internal accessory receiver, see page 46.



HIGHWAY

D400 MANHOLE COVERS

Highway is our most versatile range of manhole covers and gully grates, with a solution for every scenario, including the most complex projects.

Its vast variety of options makes it the most extensive range of robust highway ironwork available in the UK, which our customers rely on to deliver a high quality and long-lasting performance.



70+PSRV tested at top surface of chequer.



Enlarged corners and BS7903 ribs ensure traffic forces apply mortar-sympathetic compression loads



Indexed corners ensure correct orientation first time, every time.



Safety keyway prevents accidental disengagement of the lifting key during the handling process.



Can be retrofitted with a customer or application specific ID badge.

Available Options:

- ▶ Locking
- ▶ Badged (e.g. 'SW', 'FW' etc.)
- ▶ Ventilation holes
- ▶ Floor & odour control plates
- ▶ Safety grille
- ▶ Enhanced anti-slip coating

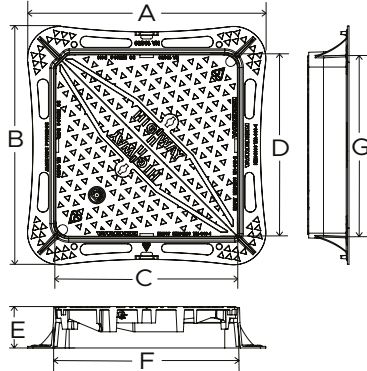
Available Accessories:

- ▶ p88: Clicklift™*
- ▶ p90: Armadillo*
- ▶ p94: Gritblocker™
- ▶ p94: Screwlift™
- ▶ p95: BS 7903 lifting keys

* Not all covers are compatible. For compatibility charts see pages 88 & 91.

HIGHWAY D400 MANHOLE COVERS

RECTANGULAR OPENING

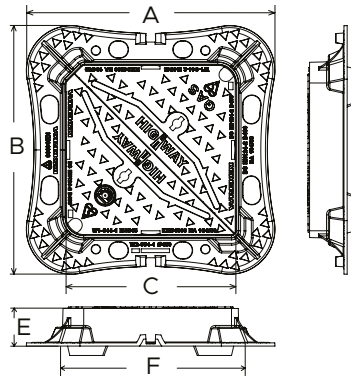


Product Features

- ▶ 70+PSRV tested at top surface of chequer.
- ▶ Enlarged frame corners help to dissipate load minimising bearing pressure.
- ▶ Indexed corners ensure correct orientation first time, every time.
- ▶ Mechanical lifting points are provided.
- ▶ Can be retrofitted with a customer or application specific ID badge.
- ▶ Safety keyway prevents accidental disengagement of the lifting key during the handling process.
- ▶ Select products compatible with Clicklift, Armadillo, Gritblocker and Screwlift. See all accessories on page 87.
- ▶ Meets the requirements CD 534 v0.1.0. For more information see page 20.

| STOCK CODE | OVERALL FRAME (A x B mm) | CLEAR OPENING (C x D mm) | FRAME DEPTH (E mm) | BASE OPENING (F x G mm) |
|----------------|--------------------------|--------------------------|--------------------|-------------------------|
| DMTOD4/4545/KH | 665 x 665 | 450 x 450 | 100 | 475 x 475 |
| DMTOD4/6045/KH | 815 x 665 | 600 x 450 | 100 | 625 x 475 |
| DMTOD4/6060/KH | 810 x 810 | 600 x 600 | 100 | 620 x 620 |
| DMTOD4/6767/KH | 885 x 885 | 675 x 675 | 100 | 700 x 700 |
| DMTOD4/7560/KH | 965 x 815 | 750 x 600 | 100 | 775 x 625 |
| DMTOD4/7575/KH | 965 x 965 | 750 x 750 | 100 | 775 x 775 |
| DMTOD4/9060/KH | 1,115 x 815 | 900 x 600 | 100 | 925 x 625 |
| DMTOD4/9090/KH | 1,130 x 1,130 | 900 x 900 | 100 | 925 x 925 |
| DMTOD4/1267/KH | 1,460 x 895 | 1,220 x 675 | 100 | 1,245 x 700 |
| DMTOD6/4545/KH | 665 x 665 | 450 x 450 | 150 | 475 x 475 |
| DMTOD6/6045/KH | 815 x 665 | 600 x 450 | 150 | 625 x 475 |
| DMTOD6/6060/KH | 810 x 810 | 600 x 600 | 150 | 620 x 620 |
| DMTOD6/6767/KH | 885 x 885 | 675 x 675 | 150 | 695 x 695 |
| DMTOD6/7560/KH | 965 x 815 | 750 x 600 | 150 | 775 x 625 |
| DMTOD6/7575/KH | 965 x 965 | 750 x 750 | 150 | 775 x 775 |
| DMTOD6/9060/KH | 1,115 x 815 | 900 x 600 | 150 | 925 x 625 |
| DMTOD6/9090/KH | 1,130 x 1,130 | 900 x 900 | 150 | 925 x 925 |
| DMTOD6/1267/KH | 1,460 x 895 | 1,220 x 675 | 150 | 1,245 x 700 |

HIGHWAY D400 MANHOLE COVERS SQUARE TO ROUND OPENING



Product Features

- ▶ 70+PSRV tested at top surface of chequer.
- ▶ Enlarged frame corners help to dissipate load minimising bearing pressure.
- ▶ Indexed corners ensure correct orientation first time, every time.
- ▶ Mechanical lifting points are provided.
- ▶ Can be retrofitted with a customer or application specific ID badge.
- ▶ Safety keyway prevents accidental disengagement of the lifting key during the handling process.
- ▶ Meets the requirements CD 534 v0.1.0. For more information see page 20.
- ▶ Compatible with Reducer Ring accessory, p95.

| STOCK CODE | OVERALL FRAME (A x B mm) | CLEAR OPENING (C mm) | FRAME DEPTH (E mm) | BASE OPENING (F mm) |
|-------------------|-----------------------------|-------------------------|-----------------------|------------------------|
| DMTOD4/4545/KHSQR | 660 x 660 | Ø 450 | 100 | Ø 490 |

HIGHWAY HALOHINGE D400 MANHOLE COVERS

Highway Halohinge D400 manhole covers offer all the benefits of the Highway range with the additional benefit of the Hinge and Lift Out mechanism. This allows the covers to be opened sequentially, hinged open to 100° and also completely removed. Opening or removing requires only standard BS 7903 lifting keys.



Covers open sequentially, with standard BS7903 lifting keys.

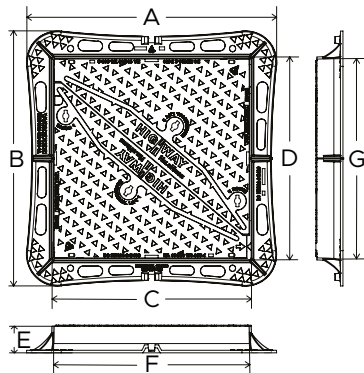


Safety-stop hinges prevent covers falling once hinged open.



Inboard hinges prevent dirt and debris clogs, and protect hinge housing from damage during compaction.

HIGHWAY HALOHINGE D400 MANHOLE COVERS RECTANGULAR OPENING



Product Features

- ▶ 70+PSRV tested at top surface of chequer.
- ▶ Enlarged frame corners help to dissipate load minimising bearing pressure.
- ▶ Indexed corners ensure correct orientation first time, every time.
- ▶ Mechanical lifting points are provided.
- ▶ Can be retrofitted with a customer or application specific ID badge.
- ▶ Safety keyway prevents accidental disengagement of the lifting key during the handling process.
- ▶ Sequential cover opening.
- ▶ Safety-stop hinges prevent covers falling once opened.
- ▶ Meets the requirements CD 534 v0.1.0. For more information see page 20.

| STOCK CODE | OVERALL FRAME (A x B mm) | CLEAR OPENING (C x D mm) | FRAME DEPTH (E mm) | BASE OPENING (F x G mm) |
|-----------------|--------------------------|--------------------------|--------------------|-------------------------|
| DMHTOD4/6045/KH | 810 x 660 | 600 x 450 | 100 | 620 x 470 |
| DMHTOD4/6060/KH | 815 x 815 | 600 x 600 | 100 | 625 x 625 |
| DMHTOD4/6767/KH | 890 x 890 | 675 x 675 | 100 | 700 x 700 |
| DMHTOD4/7560/KH | 960 x 810 | 750 x 600 | 100 | 770 x 620 |
| DMHTOD4/7575/KH | 960 x 960 | 750 x 750 | 100 | 770 x 770 |
| DMHTOD4/9060/KH | 1,110 x 810 | 900 x 600 | 100 | 920 x 620 |
| DMHTOD6/6060/KH | 815 x 815 | 600 x 600 | 150 | 625 x 625 |
| DMHTOD6/6767/KH | 890 x 890 | 675 x 675 | 150 | 700 x 700 |
| DMHTOD6/9060/KH | 1,110 x 810 | 900 x 600 | 150 | 920 x 620 |



TRISTAR™

D400 MANHOLE COVERS

Our high-quality and compliant Tristar access covers, gully grates and surface boxes offer a competitive solution for groundworkers and specifiers. Ever popular, the Tristar range is the best-selling ductile ironwork range of products in the UK.



70+PSRV tested at top surface of chequer by a UKAS laboratory and WRc accredited 3rd party.



Enlarged frame corners help to dissipate, load minimising bearing pressure.



Indexed corners ensure correct orientation first time, every time.



Specially designed cover support geometry reduces movement relative to the frame, minimising seating wear.

Available Options:

- ▶ Locking
- ▶ Badged (e.g. 'SW', 'FW' etc.)
- ▶ Ventilation holes
- ▶ Floor & odour control plates
- ▶ Safety grille
- ▶ Enhanced anti-slip coating

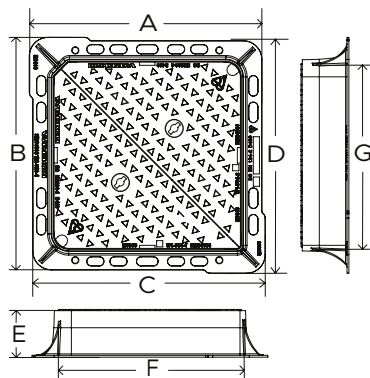
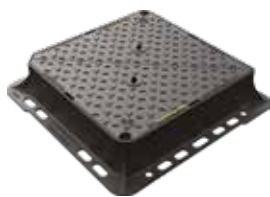
Available Accessories:

- ▶ p88: Clicklift™*
- ▶ p90: Armadillo*
- ▶ p94: Gritblocker™
- ▶ p94: Screwlift™
- ▶ p95: BS 7903 lifting keys

* Not all covers are compatible. For compatibility charts see pages 88 & 91.

TRISTAR D400 MANHOLE COVERS

RECTANGULAR OPENING

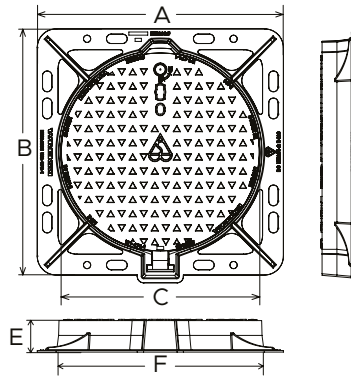


Product Features

- ▶ 70+PSRV tested at top surface of chequer.
- ▶ Enlarged frame corners help to dissipate load minimising bearing pressure.
- ▶ Indexed corners ensure correct orientation first time, every time.
- ▶ Safety keyway prevents accidental disengagement of the lifting key during the handling process.
- ▶ Select products compatible with Clicklift, Armadillo, Gritblocker and Screwlift. See all accessories on page 87.

| STOCK CODE | OVERALL FRAME (A x B mm) | CLEAR OPENING (C x D mm) | FRAME DEPTH (E mm) | BASE OPENING (F x G mm) |
|----------------|--------------------------|--------------------------|--------------------|-------------------------|
| DMTOD4/6045/KT | 750 x 600 | 600 x 450 | 100 | 620 x 470 |
| DMTOD4/6060/KT | 760 x 760 | 600 x 600 | 100 | 620 x 620 |
| DMTOD4/6767/KT | 830 x 830 | 675 x 675 | 100 | 700 x 700 |
| DMTOD6/6060/KT | 760 x 760 | 600 x 600 | 150 | 620 x 620 |
| DMTOD6/6767/KT | 830 x 830 | 675 x 675 | 150 | 700 x 700 |

TRISTAR D400 MANHOLE COVERS
ROUND COVER, SQUARE FRAME

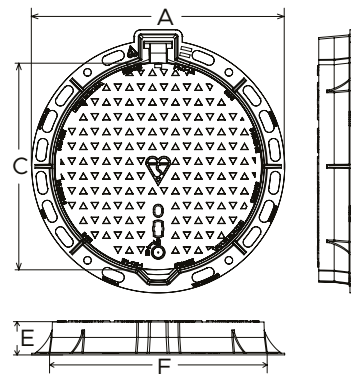


Product Features

- ▶ 70+PSRV tested at top surface of chequer.
- ▶ Safety keyway prevents accidental disengagement of the lifting key during the handling process.
- ▶ Safety stop hinge prevents covers falling once opened.
- ▶ Spring bar security locking feature.

| STOCK CODE | OVERALL FRAME (A x B mm) | CLEAR OPENING (C mm) | FRAME DEPTH (E mm) | BASE OPENING (F mm) |
|-----------------|--------------------------|----------------------|--------------------|---------------------|
| DMS1D4/60D/KTSF | 780 x 780 | Ø 600 | 100 | Ø 650 |

TRISTAR D400 MANHOLE COVERS
ROUND OPENING



Product Features

- ▶ 70+PSRV tested at top surface of chequer.
- ▶ Safety keyway prevents accidental disengagement of the lifting key during the handling process.
- ▶ Safety stop hinge prevents covers falling once opened.
- ▶ Spring bar security locking feature.

| STOCK CODE | OVERALL FRAME (A mm) | CLEAR OPENING (C mm) | FRAME DEPTH (E mm) | BASE OPENING (F mm) |
|----------------|----------------------|----------------------|--------------------|---------------------|
| DMS1D4/45D/KT* | Ø 620 | Ø 450 | 100 | Ø 500 |
| DMS1D4/60D/KT | Ø 770 | Ø 600 | 100 | Ø 650 |

*Compatible with Reducer Ring accessory, p95.



FORCE™

ULTIMATE DURABILITY

Force™ delivers ultimate durability. With its large textured flange and rounded frame edge ensuring a strong mortar interlock and reduced risk of mortar cracking, you can rest assured of its longevity. Hinged with ClearBore™ technology, Force™ offers reliable opening, unaffected by dirt and debris. It really is a force to be reckoned with.



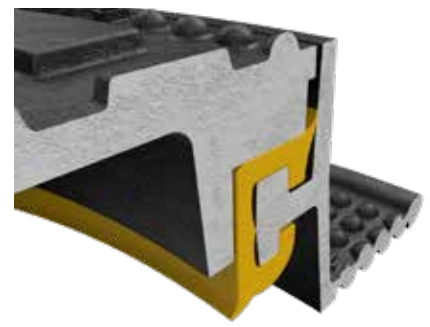
ClearBore™ Hinge

The hinge blocks dirt and debris from entering the mechanism, ensuring a smooth hinge opening every time.



I Beam Technology

I beam technology is built into the cover, dramatically reducing cover seating wear, by significantly increasing cover rigidity.



Elastomeric Seating Ring

Large, high quality seating ring extends installation life by providing cushioning protection to the substructure.



Security Lock

Security turnbuckle lock (optional if required) security feature prevents theft and unwanted access.



Clear Opening

Frame base opening significantly exceeds older 24" chambers ensuring the frame is supported.

Available Options:

- ▶ Locking
- ▶ Badged (e.g. 'SW', 'FW' etc.)
- ▶ Ventilation Holes
- ▶ Safety Grille
- ▶ Enhanced Anti-Slip Coating

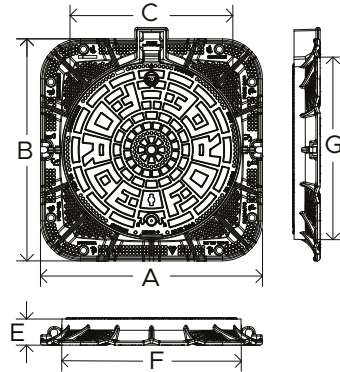
Available Accessories:

- ▶ p94: Gritblocker™
- ▶ p94: Screwlift™
- ▶ p95: BS 7903 lifting keys



FORCE D400 MANHOLE COVERS

SQUARE TO ROUND OPENING



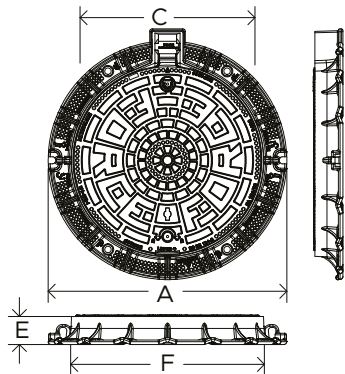
Product Features

- ▶ Designed to be lifted by a single person, helping to reduce labour costs.
- ▶ Mechanical lifting points & BS7903 frame lifting points are provided.
- ▶ Spring bar security locking feature.
- ▶ Anti-flex covers prevent the causes of cover seating wear, eliminating excessive noise and catastrophic failure.
- ▶ Concealed hinges prevent debris entering the hinge and limiting its movement.
- ▶ Safety keyway prevents accidental disengagement of the lifting key during the handling process.

| STOCK CODE | OVERALL FRAME (A x B mm) | CLEAR OPENING (C mm) | FRAME DEPTH (E mm) | BASE OPENING (F x G mm) |
|-----------------|--------------------------|----------------------|--------------------|-------------------------|
| DMS1D4/60D/KUSF | 850 x 850 | Ø 610 | 100 | 690 x 690 |

FORCE D400 MANHOLE COVERS

ROUND OPENING



Product Features

- ▶ Designed to be lifted by a single person, helping to reduce labour costs.
- ▶ Mechanical lifting points & BS7903 frame lifting points are provided.
- ▶ Spring bar low security locking feature.
- ▶ Anti-flex covers prevent the causes of cover seating wear, eliminating excessive noise and catastrophic failure.
- ▶ Concealed hinges prevent debris entering the hinge and limiting its movement.
- ▶ Safety keyway prevents accidental disengagement of the lifting key during the handling process.

| STOCK CODE | OVERALL FRAME (A mm) | CLEAR OPENING (C mm) | FRAME DEPTH (E mm) | BASE OPENING (F mm) |
|---------------|----------------------|----------------------|--------------------|---------------------|
| DMS1D4/60D/KU | Ø 850 | Ø 610 | 100 | Ø 690 |



HERCULES™ LEGENDARY SIZE

Our Hercules range has been designed as the ideal solution when a very large manhole cover is required for a D400 Group 4 environment. The products have been designed and manufactured to meet the requirements BS EN 124:2015. Additionally, the covers include features designed to provide both greater operator safety and operational longevity.



70+PSRV tested at top surface of chequer by UKAS accredited 3rd party.



Anti-flex covers prevent the causes of cover seating wear, eliminating excessive noise and catastrophic failure.



Specially designed cover support geometry reduces movement relative to the frame, minimising seating wear.



Enlarged frame corners help to dissipate, load minimising bearing pressure.

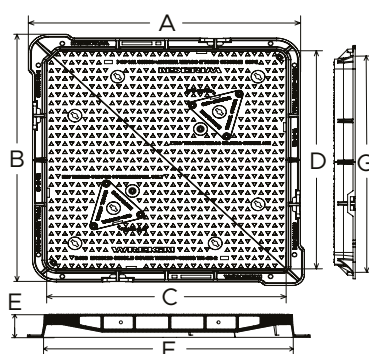
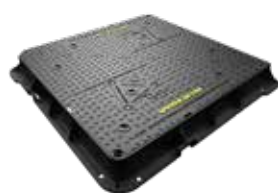


Indexed corners ensure correct orientation first time, every time.



Inspection window allows safe and easy view into chamber.

HERCULES D400 MANHOLE COVERS RECTANGULAR OPENING



Product Features

- ▶ 70+PSRV tested at top surface of chequer.
- ▶ Anti-flex covers prevent the causes of cover seating wear, eliminating excessive noise and catastrophic failure.
- ▶ Specially designed cover support geometry reduces movement relative to the frame, minimising seating wear.
- ▶ Enlarged frame corners help to dissipate load minimising bearing pressure.
- ▶ Indexed corners ensure correct orientation first time, every time.
- ▶ Inspection window allows safe and easy view into chamber.
- ▶ Mechanical lifting points are provided.
- ▶ Safety keyway prevents accidental disengagement of the lifting key during the handling process.

| STOCK CODE | OVERALL FRAME (A x B mm) | CLEAR OPENING (C x D mm) | FRAME DEPTH (E mm) | BASE OPENING (F x G mm) |
|---------------|--------------------------|--------------------------|--------------------|-------------------------|
| DMT0D6/1212/4 | 1,385 x 1,385 | 1,200 x 1,200 | 150 | 1,230 x 1,230 |

VAULT™
SECURITY AS STANDARD

Vault features a stainless steel lock for securing valuable assets like communications equipment. Our hinged Vault range of access covers exceeds BS EN 124:2015 D400 requirements and includes unique safety features, including a sequential opening locking system and stops which fix the covers in a unique, simple to use, upright position for safe and simple operation.



70+PSRV tested at top surface of chequer by UKAS accredited 3rd party.



Captive hinges reduce theft risk whilst allowing easy lifting.



Enlarged frame corners help to dissipate, load minimising bearing pressure.



Indexed corners ensure correct orientation first time, every time.

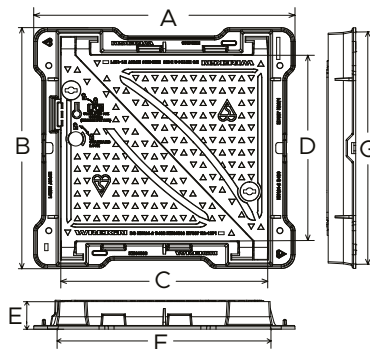


Safety keyway prevents accidental disengagement of the lifting key during the handling process.



Safety-stop hinges prevent covers falling once opened.

VAULT D400 MANHOLE COVERS
RECTANGULAR OPENING

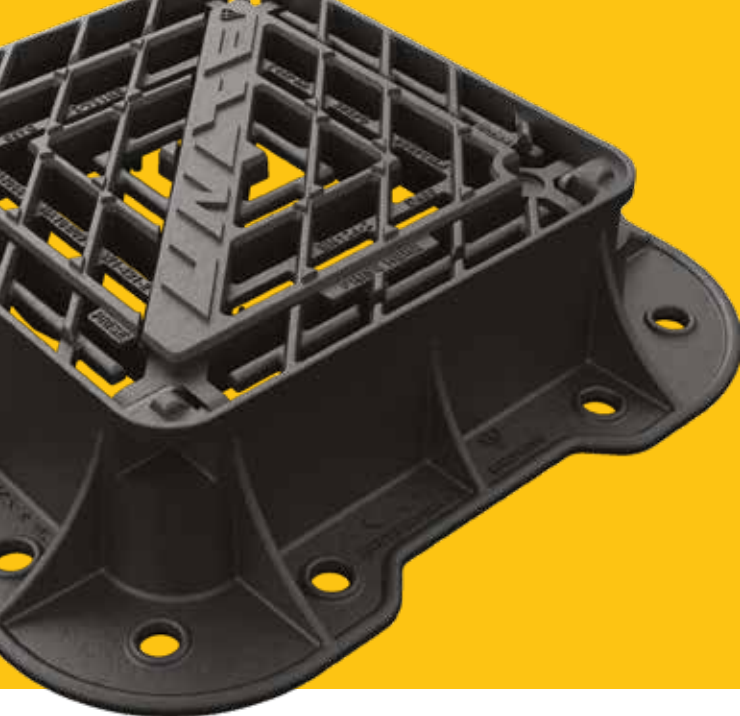


Product Features

- ▶ LPCB series 3 lock.
- ▶ 70+PSRV tested at top surface of chequer.
- ▶ Enlarged frame corners help to dissipate load minimising bearing pressure.
- ▶ Indexed corners ensure correct orientation first time, every time.
- ▶ Sequential cover opening.
- ▶ Safety keyway prevents accidental disengagement of the lifting key during the handling process.
- ▶ Safety-stop hinges prevent covers falling once opened.
- ▶ Mechanical lifting points are provided.

| STOCK CODE | OVERALL FRAME (A x B mm) | CLEAR OPENING (C x D mm) | FRAME DEPTH (E mm) | BASE OPENING (F x G mm) |
|-----------------|--------------------------|--------------------------|--------------------|-------------------------|
| DMH0D4/7567/K | 950 x 875 | 750 x 675 | 100 | 775 x 700 |
| DMH0D4/9045/K * | 1,090 x 650 | 900 x 450 | 100 | 925 x 475 |
| DMH0D4/9060/K | 1,090 x 800 | 900 x 600 | 100 | 925 x 625 |
| DMH0D4/1361/K | 1,490 x 810 | 1,300 x 610 | 100 | 1,325 x 635 |
| DMH0D4/1383/K | 1,490 x 1,050 | 1,300 x 850 | 100 | 1,325 x 875 |

* Available on request



UNITE™ D400 GULLY GRATES

Our premium Unite D400 gully grate combines new technology with proven features to deliver a super long-life and the lowest whole-life cost of any D400 gully grate.

The inclusion of a lower secondary grid promotes pedestrian and cycle safety whilst disrupting surface water flow to maximise the volume evacuated. The three-way hinge design enables it to be installed in any orientation and optional safety stays resist uncontrolled closing.



Unique beam design provides high strength and an exceptionally long service life.



Enlarged frame corners help to dissipate the load, minimising the forces applied to the foundations.



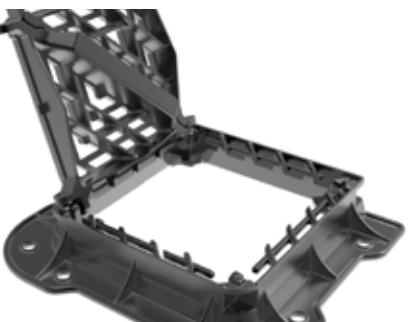
Gully grating can easily be adjusted on site to hinge in 3 directions.



Mechanical lifting points are provided, BS 7903 lifting key slots are also available for manoeuvring the frame.



Reversible hinge allows the grating to hinge with the direction of the traffic flow, improving safety.



Safety-stop hinges prevent the grating from falling once opened.

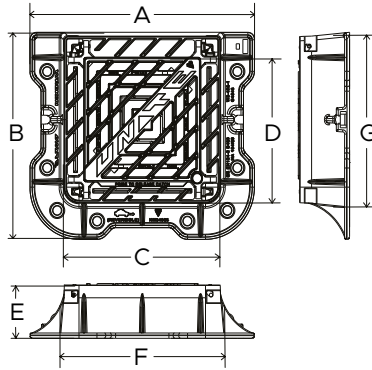
Available Options:

- ▶ Screw locking
- ▶ Enhanced anti-slip coating

Available Accessories:

- ▶ p94: Screwlift™
- ▶ p93: Unipak bedding mortar

UNITE D400 GULLY GRATES
THREE FLANGE



Product Features

- ▶ Beam in beam design.
- ▶ Specially designed cover support geometry reduces movement relative to the frame, minimising seating wear.
- ▶ Enlarged frame corners help to dissipate load minimising bearing pressure.
- ▶ Hinged in 3 directions – product can fit in any required orientation.
- ▶ Mechanical lifting points are provided.
- ▶ Reversible hinge allows the grating to hinge with the direction of the traffic flow, improving safety.
- ▶ Safety-stop hinges prevent covers falling once opened.

| STOCK CODE | OVERALL FRAME (A x B mm) | CLEAR OPENING (C x D mm) | FRAME DEPTH (E mm) | BASE OPENING (F x G mm) | WATERWAY AREA (cm ²) | CD 526 CLASSIFICATION |
|-----------------|--------------------------|--------------------------|--------------------|-------------------------|----------------------------------|-----------------------|
| DGHTOD4/4545/KU | 670 x 580 | 450 x 450 | 100 | 475 x 475 | 1,440 | Q |
| DGHTOD6/4545/KU | 670 x 580 | 450 x 450 | 150 | 475 x 475 | 1,440 | Q |



HIGHWAY

D400 GULLY GRATES

Our Highway Group 3 gully grates are designed and manufactured to meet the enhanced requirements of Highways England's Design Manual for Roads and bridges (DMRB) specification CD 534 which recently replaced HA104/09.

The Highway range of access covers and gully grates conforms to BS EN 124:2015 and also includes patented safety provisions and design features to ensure safe and robust performance.



Captive hinges reduce theft risk whilst allowing easy lifting.



Enlarged frame corners help to dissipate the load, minimising the forces applied to the foundations.



Mechanical lifting points are provided, BS 7903 lifting key slots are also available for manoeuvring the frame.



Reversible hinge allows the grating to hinge with the direction of the traffic flow, improving safety.

Available Options:

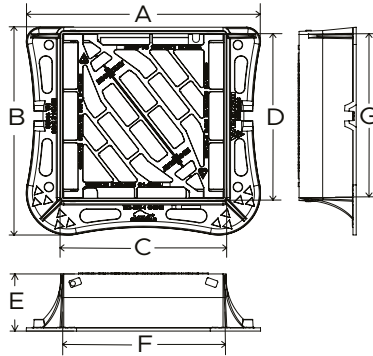
- ▶ Screw locking
- ▶ Enhanced anti-slip coating

Available Accessories:

- ▶ p94: Screwlift™
- ▶ p93: Unipak bedding mortar

HIGHWAY D400 GULLY GRATES

THREE FLANGE



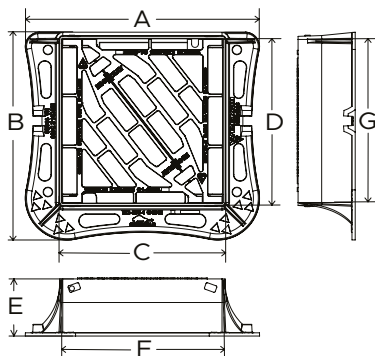
Product Features

- ▶ Although double triangular, the grating pair open as a single unit to safely allow hinging in the direction of traffic flow.
- ▶ Captive hinges reduce theft risk whilst allowing easy lifting.
- ▶ Enlarged frame corners help to dissipate load minimising bearing pressure.
- ▶ Mechanical lifting points are provided.
- ▶ Reversible hinge allows the grating to hinge with the direction of the traffic flow, improving safety.

| STOCK CODE | OVERALL FRAME (A x B mm) | CLEAR OPENING (C x D mm) | FRAME DEPTH (E mm) | BASE OPENING (F x G mm) | WATERWAY AREA (cm ²) | CD 526 CLASSIFICATION |
|-----------------|--------------------------|--------------------------|--------------------|-------------------------|----------------------------------|-----------------------|
| DGHTOD4/4242/KH | 615 x 545 | 425 x 425 | 100 | 450 x 450 | 1,250 | R |
| DGHTOD4/4337/KH | 565 x 545 | 370 x 430 | 100 | 390 x 450 | 1,000 | R |
| DGHTOD4/5035/KH | 675 x 445 | 480 x 320 | 100 | 500 x 350 | 950 | R |
| DGHTOD4/6045/KH | 775 x 545 | 425 x 425 | 100 | 600 x 450 | 1,750 | Q |
| DGHTOD4/6060/KH | 775 x 695 | 580 x 580 | 100 | 600 x 600 | 2,150 | P |
| DGHTOD4/1045/KH | 1,175 x 545 | 980 x 425 | 100 | 1,000 x 450 | 2,750 | P |
| DGHTOD6/4242/KH | 615 x 545 | 425 x 425 | 150 | 450 x 450 | 1,250 | R |
| DGHTOD6/4337/KH | 565 x 545 | 370 x 430 | 150 | 390 x 450 | 1,000 | R |
| DGHTOD6/6045/KH | 775 x 545 | 420 x 420 | 150 | 600 x 450 | 1,750 | Q |
| DGHTOD6/6060/KH | 775 x 695 | 580 x 580 | 150 | 600 x 600 | 2,150 | P |
| DGHTOD6/1045/KH | 1,175 x 545 | 980 x 425 | 150 | 1,000 x 450 | 2,750 | P |
| DGHTOD6/5035/KH | 675 x 445 | 480 x 320 | 150 | 500 x 350 | 950 | R |

HIGHWAY D400 GULLY GRATES

THREE FLANGE, KERB HINGED



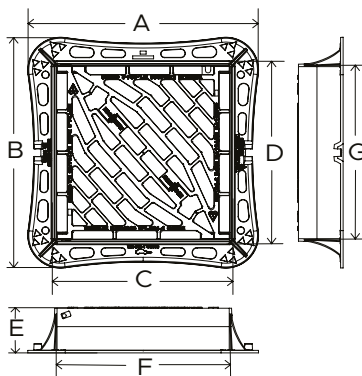
Product Features

- ▶ Although double triangular, the grating pair open as a single unit to safely allow hinging in the direction of traffic flow.
- ▶ Captive hinges reduce theft risk whilst allowing easy lifting.
- ▶ Enlarged frame corners help to dissipate load minimising bearing pressure.
- ▶ Mechanical lifting points are provided.
- ▶ Reversible hinge allows the grating to hinge with the direction of the traffic flow, improving safety.

| STOCK CODE | OVERALL FRAME (A x B mm) | CLEAR OPENING (C x D mm) | FRAME DEPTH (E mm) | BASE OPENING (F x G mm) | WATERWAY AREA (cm ²) | CD 526 CLASSIFICATION |
|------------------|--------------------------|--------------------------|--------------------|-------------------------|----------------------------------|-----------------------|
| DGHTOD6/4544/KHK | 625 x 535 | 410 x 430 | 150 | 450 x 440 | 1,250 | R |

HIGHWAY D400 GULLY GRATES

FOUR FLANGE



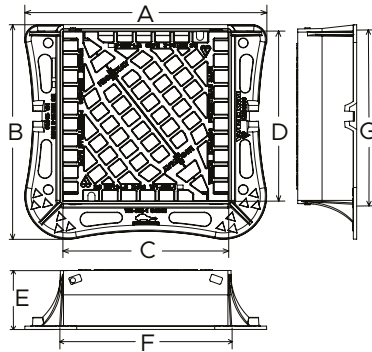
Product Features

- ▶ Although double triangular, the grating pair open as a single unit to safely allow hinging in the direction of traffic flow.
- ▶ Captive hinges reduce theft risk whilst allowing easy lifting.
- ▶ Enlarged frame corners help to dissipate load minimising bearing pressure.
- ▶ Mechanical lifting points are provided.

| STOCK CODE | OVERALL FRAME (A x B mm) | CLEAR OPENING (C x D mm) | FRAME DEPTH (E mm) | BASE OPENING (F x G mm) | WATERWAY AREA (cm ²) | CD 526 CLASSIFICATION |
|-------------------|--------------------------|--------------------------|--------------------|-------------------------|----------------------------------|-----------------------|
| DGHTOD4/4242/KH4F | 625 x 615 | 425 x 425 | 100 | 450 x 450 | 1,250 | R |
| DGHTOD4/4337/KH4F | 625 x 565 | 430 x 370 | 100 | 450 x 390 | 1,000 | R |
| DGHTOD4/6060/KH4F | 775 x 775 | 580 x 580 | 100 | 600 x 600 | 2,150 | P |
| DGHTOD4/1045/KH4F | 1,175 x 625 | 980 x 425 | 100 | 1,000 x 450 | 2,750 | P |
| DGHTOD4/6045/KH4F | 775 x 625 | 425 x 425 | 100 | 600 x 450 | 1,750 | Q |
| DGHTOD6/4242/KH4F | 625 x 615 | 425 x 425 | 150 | 450 x 450 | 1,250 | R |
| DGHTOD6/4337/KH4F | 625 x 565 | 430 x 370 | 150 | 450 x 390 | 1,000 | R |
| DGHTOD6/6060/KH4F | 775 x 775 | 580 x 580 | 150 | 600 x 600 | 2,150 | P |
| DGHTOD6/1045/KH4F | 1,175 x 625 | 980 x 425 | 150 | 1,000 x 450 | 2,750 | P |
| DGHTOD6/6045/KH4F | 775 x 625 | 425 x 425 | 150 | 600 x 450 | 1,750 | Q |

HIGHWAY D400 GULLY GRATES

THREE FLANGE, PEDESTRIAN SAFE



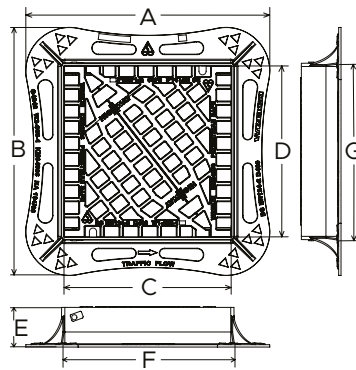
Product Features

- ▶ Although double triangular, the grating pair open as a single unit to safely allow hinging in the direction of traffic flow.
- ▶ Increased safety for bikes and pedestrians, over standard gratings.
- ▶ Captive hinges reduce theft risk whilst allowing easy lifting.
- ▶ Enlarged frame corners help to dissipate load minimising bearing pressure.
- ▶ Mechanical lifting points are provided.
- ▶ Reversible hinge allows the grating to hinge with the direction of the traffic flow, improving safety.

| STOCK CODE | OVERALL FRAME (A x B mm) | CLEAR OPENING (C x D mm) | FRAME DEPTH (E mm) | BASE OPENING (F x G mm) | WATERWAY AREA (cm ²) | CD 526 CLASSIFICATION |
|------------------|--------------------------|--------------------------|--------------------|-------------------------|----------------------------------|-----------------------|
| DGHTOD4/4545/KHP | 615 x 545 | 425 x 425 | 100 | 450 x 450 | 910 | R |
| DGHTOD6/4242/KHP | 615 x 545 | 425 x 425 | 150 | 450 x 450 | 910 | R |

HIGHWAY D400 GULLY GRATES

FOUR FLANGE PEDESTRIAN SAFE



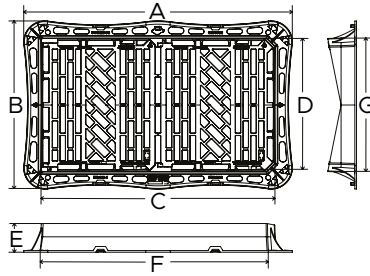
Product Features

- ▶ Although double triangular, the grating pair open as a single unit to safely allow hinging in the direction of traffic flow.
- ▶ Increased safety for bikes and pedestrians, over standard gratings.
- ▶ Captive hinges reduce theft risk whilst allowing easy lifting.
- ▶ Enlarged frame corners help to dissipate load minimising bearing pressure.
- ▶ Mechanical lifting points are provided.

| STOCK CODE | OVERALL FRAME (A x B mm) | CLEAR OPENING (C x D mm) | FRAME DEPTH (E mm) | BASE OPENING (F x G mm) | WATERWAY AREA (cm ²) | CD 526 CLASSIFICATION |
|--------------------|--------------------------|--------------------------|--------------------|-------------------------|----------------------------------|-----------------------|
| DGHTOD4/4242/KHP4F | 625 x 615 | 425 x 425 | 100 | 450 x 450 | 910 | R |
| DGHTOD6/4242/KHP4F | 625 x 615 | 425 x 425 | 150 | 450 x 450 | 910 | R |

HIGHWAY D400 GULLY GRATES

V SHAPE



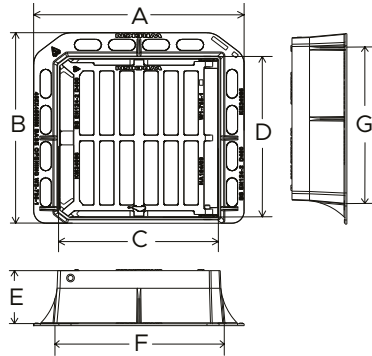
Product Features

- ▶ Enlarged frame corners help to dissipate load minimising bearing pressure.
- ▶ Mechanical lifting points are provided.
- ▶ Spring bar low security locking feature.

| STOCK CODE | OVERALL FRAME (A x B mm) | CLEAR OPENING (C x D mm) | FRAME DEPTH (E mm) | BASE OPENING (F x G mm) | WATERWAY AREA (cm ²) | CD 526 CLASSIFICATION |
|-----------------|--------------------------|--------------------------|--------------------|-------------------------|----------------------------------|-----------------------|
| DGHV0D6/6060/KH | 800 x 800 | 600 x 600 | 150 | 625 x 625 | 1,950 | P |
| DGHV0D6/6712/KH | 1,405 x 880 | 1,205 x 675 | 150 | 1,230 x 705 | 4,550 | P |
| DGHV0D6/9090/KH | 1,100 x 1,100 | 900 x 900 | 150 | 925 x 925 | 5,100 | P |
| DGHV0D8/1267/KH | 1,405 x 880 | 1,200 x 675 | 200 | 1,230 x 705 | 4,550 | P |

TRISTAR D400 GULLY GRATES

THREE FLANGE

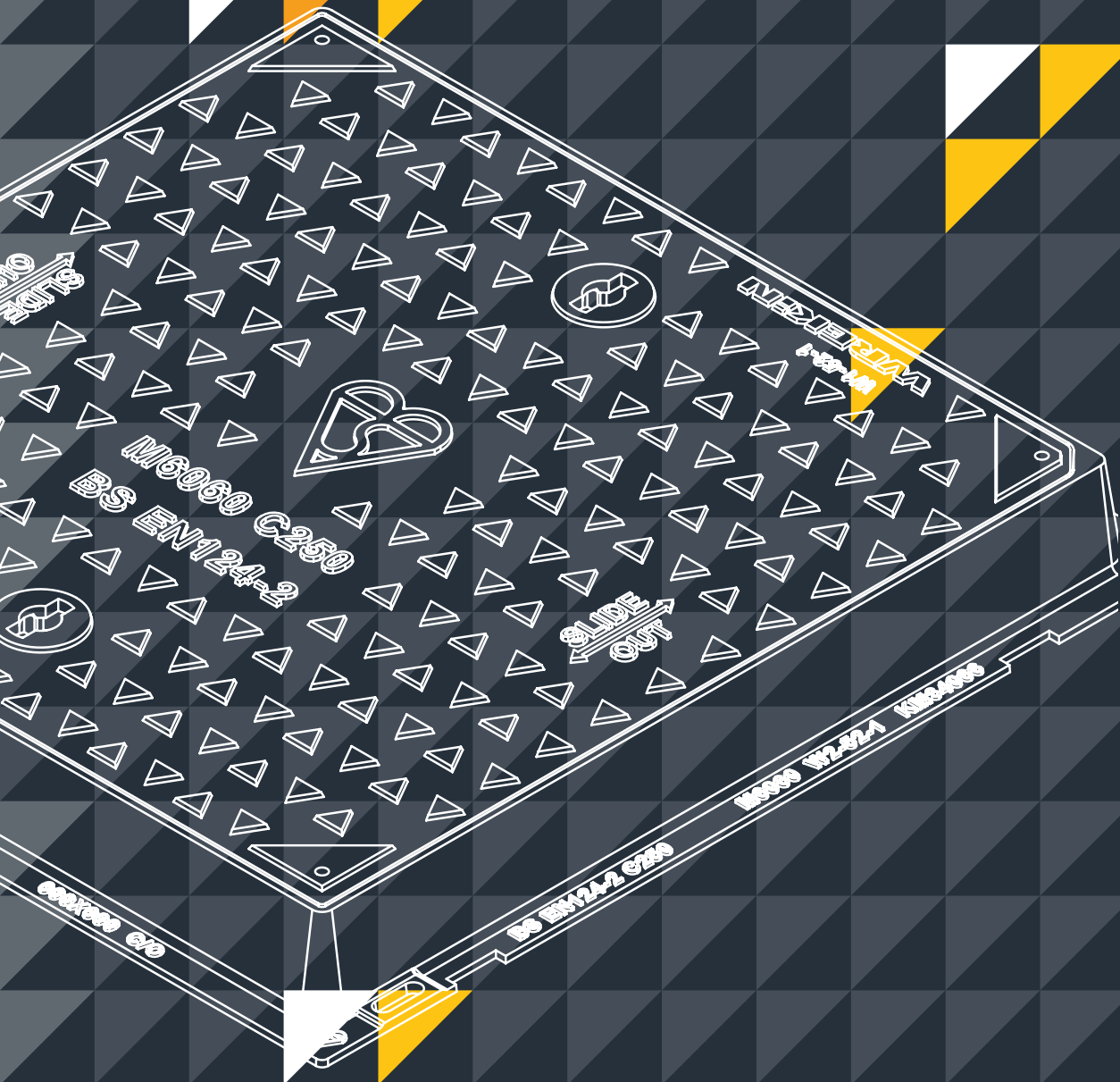


Product Features

- ▶ Captive hinges reduce theft risk whilst allowing easy lifting.
- ▶ Will sit over a typical 450mm Ø circular or horseshoe chamber.
- ▶ Compatible with Armadillo Gully Grate Protector Shell - p90.

| STOCK CODE | OVERALL FRAME (A x B mm) | CLEAR OPENING (C x D mm) | FRAME DEPTH (E mm) | BASE OPENING (F x G mm) | WATERWAY AREA (cm ²) | CD 526 CLASSIFICATION |
|-----------------|--------------------------|--------------------------|--------------------|-------------------------|----------------------------------|-----------------------|
| DGH0D3/4545/KT | 575 x 520 | 430 x 430 | 75 | 450 x 450 | 1,250 | R |
| DGH0D4/3633/KT* | 506 x 425 | 360 x 335 | 100 | 380 x 355 | <900 | S |
| DGH0D4/4337/KT | 580 x 465 | 430 x 370 | 100 | 455 x 390 | 1,050 | R |
| DGH0D4/4545/KT | 575 x 520 | 430 x 430 | 100 | 450 x 450 | 1,250 | R |
| DGH0D6/4337/KT | 575 x 465 | 430 x 370 | 150 | 450 x 390 | 1,050 | R |
| DGH0D6/4545/KT | 575 x 520 | 430 x 430 | 150 | 450 x 450 | 1,250 | R |

* <900 waterway area cm² are not compliant with CD534.





C250 CONTENTS

Manhole covers and gratings capable of withstanding a 25 tonne load test.

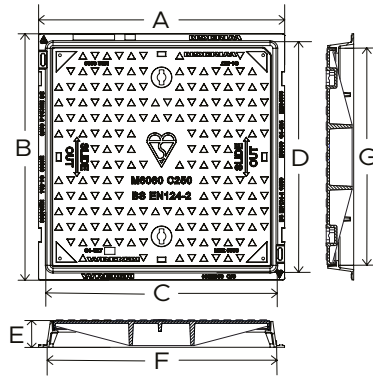
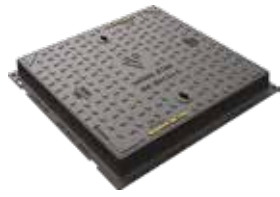
For installation no more than 500mm from the kerb face into the carriageway.

| | | |
|---|-----------------------|----|
| ▶ | Manhole covers | |
| ▶ | Safeseal | 68 |
| ▶ | Gully gratings | |
| ▶ | Tristar | 69 |



SAFESEAL C250 MANHOLE COVERS

RECTANGULAR OPENING



Product Features

- ▶ 70+PSRV tested at top surface of chequer.
- ▶ Indexed corners ensure correct orientation first time, every time.
- ▶ Labyrinth seal helps to prevent odour escapes and water ingress.
- ▶ Safety keyway prevents accidental disengagement of the lifting key during the handling process.
- ▶ The cover allows slide-out removal by one operative, completed in one movement.

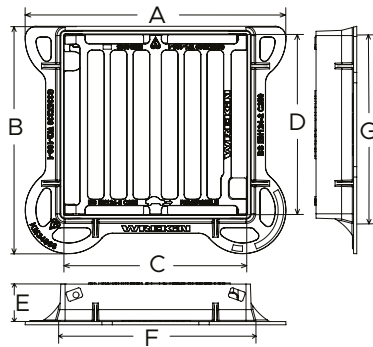
Available Options:

- ▶ Screw locking
- ▶ Neoprene seal
- ▶ Integral badging
- ▶ Ventilation holes
- ▶ Flood and odour control plate
- ▶ Safety grille

| STOCK CODE | OVERALL FRAME (A x B mm) | CLEAR OPENING (C x D mm) | FRAME DEPTH (E mm) | BASE OPENING (F x G mm) |
|---------------|--------------------------|--------------------------|--------------------|-------------------------|
| DMS1C3/4545/K | 550 x 550 | 450 x 450 | 75 | 490 x 490 |
| DMS1C3/6045/K | 710 x 560 | 600 x 450 | 75 | 650 x 500 |
| DMS1C3/6060/K | 710 x 710 | 600 x 600 | 75 | 650 x 650 |
| DMS1C3/7560/K | 860 x 710 | 750 x 600 | 75 | 800 x 650 |
| DMS1C3/9060/K | 1,010 x 710 | 900 x 600 | 75 | 950 x 650 |

TRISTAR C250 GULLY GRATES

HINGED



Product Features





- ▶ BS EN 124:2015 C250 Group 3 gully gratings are designed to provide optimum strength whilst maximising the available drainage area.
- ▶ Incorporate as standard a pedestrianised grid and locking feature
- ▶ Captive hinges reduce risk of theft while allowing easy lifting for gully cleaning.

| STOCK CODE | OVERALL FRAME (A x B mm) | CLEAR OPENING (C x D mm) | FRAME DEPTH (E mm) | BASE OPENING (F x G mm) | WATERWAY AREA (cm ²) | CD 526 CLASSIFICATION |
|----------------|--------------------------|--------------------------|--------------------|-------------------------|----------------------------------|-----------------------|
| DGH0C3/3832/K1 | 545 x 425 | 385 x 320 | 75 | 410 x 350 | 735 | S |
| DGH0C3/3333/K | 480 x 420 | 335 x 330 | 75 | 355 x 350 | 825 | S |
| DGH0C4/3931/K | 590 x 520 | 390 x 315 | 100 | 415 x 340 | 735 | S |



B125 CONTENTS

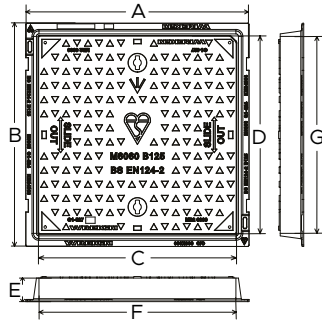
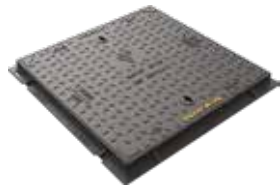
Manhole covers and gratings capable of withstanding a 12.5 tonne load test.
For use in footways, pedestrian areas and comparable areas such as car parks or car decks.

| | | |
|---|-----------------------|-----------|
|  | Manhole covers | |
|  | Safeseal | 72 |
|  | Gully grates | |
|  | Tristar | 75 |



SAFESEAL B125 MANHOLE COVERS

RECTANGULAR OPENING



Product Features

- ▶ Indexed corners ensure correct orientation first time, every time.
- ▶ Labyrinth seal helps to prevent odour escapes and water ingress.
- ▶ Safety keyway prevents accidental disengagement of the lifting key during the handling process.
- ▶ The cover allows slide-out removal by one operative, completed in one movement.

Available Options:

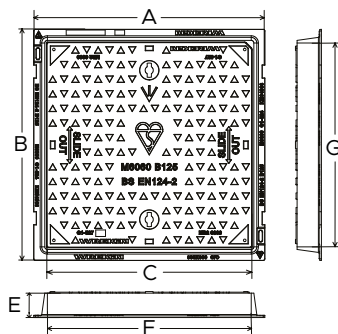
- ▶ Screw locking
- ▶ Neoprene seal
- ▶ Integral badging
- ▶ Ventilation holes
- ▶ Flood and odour control plate
- ▶ Safety grille

| STOCK CODE | OVERALL FRAME (A x B mm) | CLEAR OPENING (C x D mm) | FRAME DEPTH (E mm) | BASE OPENING (F x G mm) |
|-----------------|--------------------------|--------------------------|--------------------|-------------------------|
| DMS1B2/3030/K | 400 x 400 | 300 x 300 | 40 | 340 x 340 |
| DMS1B2/4545/K * | 550 x 550 | 450 x 450 | 40 | 490 x 490 |
| DMS1B3/4545/K * | 550 x 550 | 450 x 450 | 75 | 490 x 490 |
| DMS1B2/6045/K * | 690 x 530 | 600 x 450 | 40 | 635 x 480 |
| DMS1B3/6045/K * | 710 x 560 | 600 x 450 | 75 | 650 x 500 |
| DMS1B2/6060/K * | 690 x 690 | 600 x 600 | 40 | 635 x 635 |
| DMS1B3/6060/K * | 710 x 710 | 600 x 600 | 75 | 650 x 650 |
| DMS1B2/6767/K * | 790 x 790 | 675 x 675 | 50 | 735 x 735 |
| DMS1B2/7560/K * | 860 x 710 | 750 x 600 | 40 | 800 x 650 |
| DMS1B3/7560/K * | 860 x 710 | 760 x 600 | 75 | 800 x 650 |
| DMS1B2/7575/K * | 850 x 850 | 750 x 750 | 50 | 790 x 790 |
| DMS1B2/9060/K * | 1,010 x 710 | 900 x 600 | 40 | 950 x 650 |
| DMS1B3/9060/K * | 1,010 x 710 | 900 x 600 | 75 | 950 x 650 |
| DMS1B3/9090/K * | 1,020 x 1,020 | 900 x 900 | 75 | 960 x 960 |

* 70+PSRV tested at top surface of chequer.

SAFESEAL B125 MANHOLE COVERS

SQUARE TO ROUND OPENING



Product Features

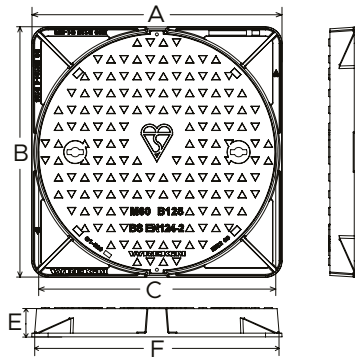
- ▶ 70+PSRV tested at top surface of chequer.
- ▶ Indexed corners ensure correct orientation first time, every time.
- ▶ Labyrinth seal helps to prevent odour escapes and water ingress.
- ▶ Safety keyway prevents accidental disengagement of the lifting key during the handling process.
- ▶ The cover allows slide-out removal by one operative, completed in one movement.
- ▶ Compatible with Reducer Ring accessory p95.

Available Options:

- ▶ Screw locking
- ▶ Neoprene seal
- ▶ Integral badging
- ▶ Ventilation holes
- ▶ Flood and odour control plate
- ▶ Safety grille

| STOCK CODE | OVERALL FRAME (A x B mm) | CLEAR OPENING (C mm) | FRAME DEPTH (E mm) | BASE OPENING (F x G mm) |
|-----------------|--------------------------|----------------------|--------------------|-------------------------|
| DMS1B2/45D/KSQR | 550 x 550 | Ø 450 | 40 | 490 x 490 |

SAFESEAL B125 MANHOLE COVERS
ROUND COVER, SQUARE FRAME



Product Features

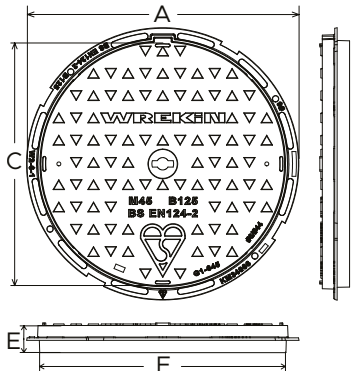
- ▶ 70+PSRV tested at top surface of chequer.
- ▶ Indexed corners ensure correct orientation first time, every time.
- ▶ Labyrinth seal helps to prevent odour escapes and water ingress.
- ▶ Safety keyway prevents accidental disengagement of the lifting key during the handling process.

Available Options:

- ▶ Screw locking
- ▶ Neoprene seal
- ▶ Integral badging
- ▶ Ventilation holes
- ▶ Flood and odour control plate
- ▶ Safety grille

| STOCK CODE | OVERALL FRAME (A x B mm) | CLEAR OPENING (C x D mm) | FRAME DEPTH (E mm) | BASE OPENING (F mm) |
|--------------|--------------------------|--------------------------|--------------------|---------------------|
| DMS1B2/60D/K | 680 x 680 | Ø 600 | 40 | Ø 650 |
| DMS1B3/60D/K | 670 x 670 | Ø 600 | 75 | Ø 640 |

SAFESEAL B125 MANHOLE COVERS
ROUND OPENING



Product Features

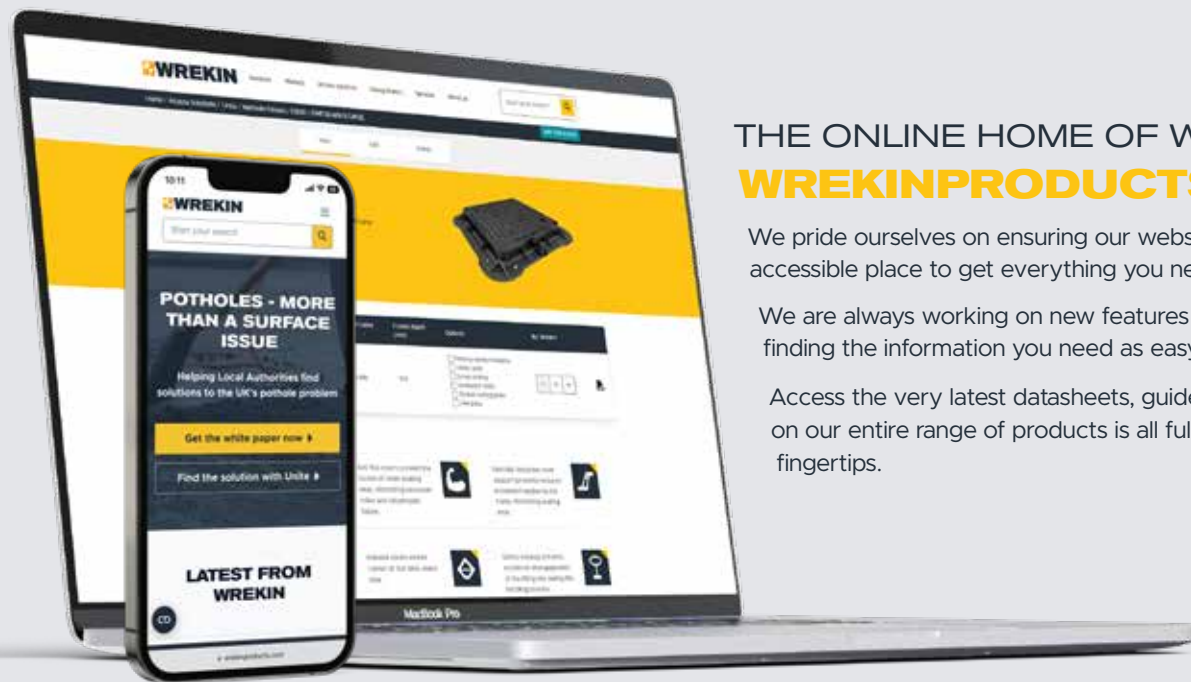
- ▶ Indexed corners ensure correct orientation first time, every time.
- ▶ Labyrinth seal helps to prevent odour escapes and water ingress.
- ▶ Safety keyway prevents accidental disengagement of the lifting key during the handling process.

Available Options:

- ▶ Screw locking
- ▶ Neoprene seal
- ▶ Integral badging
- ▶ Ventilation holes
- ▶ Flood and odour control plate
- ▶ Safety grille

| STOCK CODE | OVERALL FRAME (A x B mm) | CLEAR OPENING (C mm) | FRAME DEPTH (E mm) | BASE OPENING (F mm) |
|---------------|--------------------------|----------------------|--------------------|---------------------|
| DMS1B2/25D/K | Ø 340 | Ø 250 | 30 | Ø 280 |
| DMS1B2/45D ** | Ø 550 | Ø 450 | 35 | Ø 495 |

* 70+PSRV tested at top surface of chequer.
** Compatible with Reducer Ring accessory, p95.



THE ONLINE HOME OF WREKIN **WREKINPRODUCTS.COM**

We pride ourselves on ensuring our website is an easy and accessible place to get everything you need from Wrekin.

We are always working on new features of our website to make finding the information you need as easy and fast as possible.

Access the very latest datasheets, guides, videos and more, on our entire range of products is all fully searchable, at your fingertips.

wrek.in

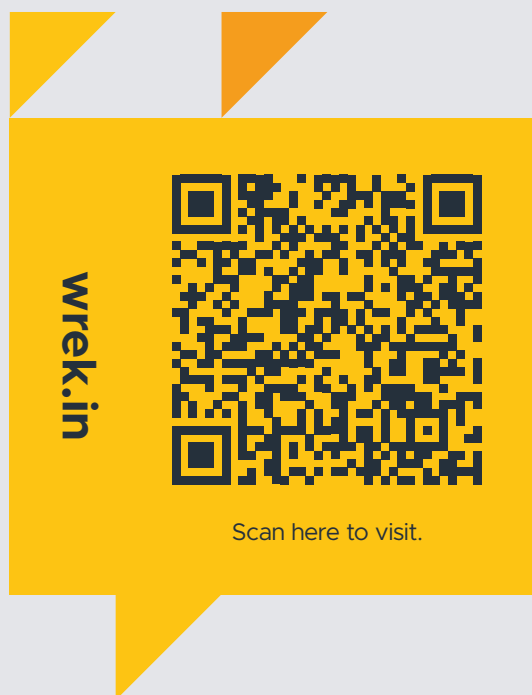
We've simplified the address used to access our website from your web browser. Simply type **wrek.in** instead of **wrekinproducts.com**, but don't worry, the old way still works!

Product Data

Get the latest, up-to-date product information, in an easy to search, easy to navigate layout. Get essential datasheets, product images and dimensions, guides, videos and more.

Technical Support

We have developed a strong reputation in the civil engineering sector thanks to our skilled teams wealth of experience. Our website contains a huge number of articles, opinion pieces and how-to's in our technical centre, so they're always on hand when you need them.



My Wrekin

Log in to My Wrekin to build custom product basket lists for quoting and sending to colleagues.

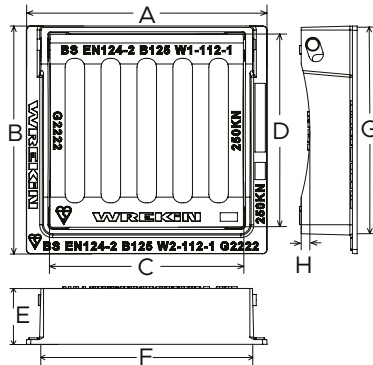
Live Chat

Got a burning question for us? Speak directly to a member of our team with our live chat feature, and get the answers you need.



TRISTAR B125 GULLY GRATES

HINGED, DISHED



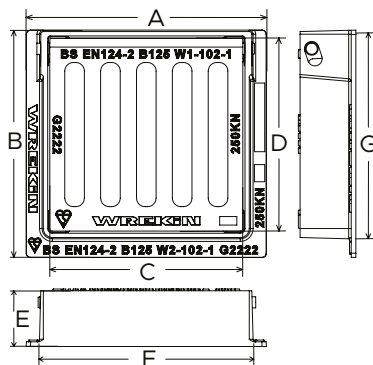
Product Features

- ▶ Designed with anti-theft in mind alongside providing optimum strength whilst maximising the available drainage area.
- ▶ The captive hinge allows easy opening for maintenance.
- ▶ Complies with BS EN 124:2015.
- ▶ B125 classification, but capable of withstanding 250kN peak loads.

| STOCK CODE | OVERALL FRAME (A x B mm) | CLEAR OPENING (C x D mm) | FRAME DEPTH (E mm) | BASE OPENING (F x G mm) | WATERWAY AREA (cm ²) | DISHED DEPTH (H mm) |
|-------------|--------------------------|--------------------------|--------------------|-------------------------|----------------------------------|---------------------|
| DGHOB3/2222 | 280 x 265 | 225 x 225 | 65 | 225 x 225 | 210 | 10 |
| DGHOB3/3030 | 355 x 345 | 300 x 300 | 75 | 300 x 300 | 375 | 15 |

TRISTAR B125 GULLY GRATES

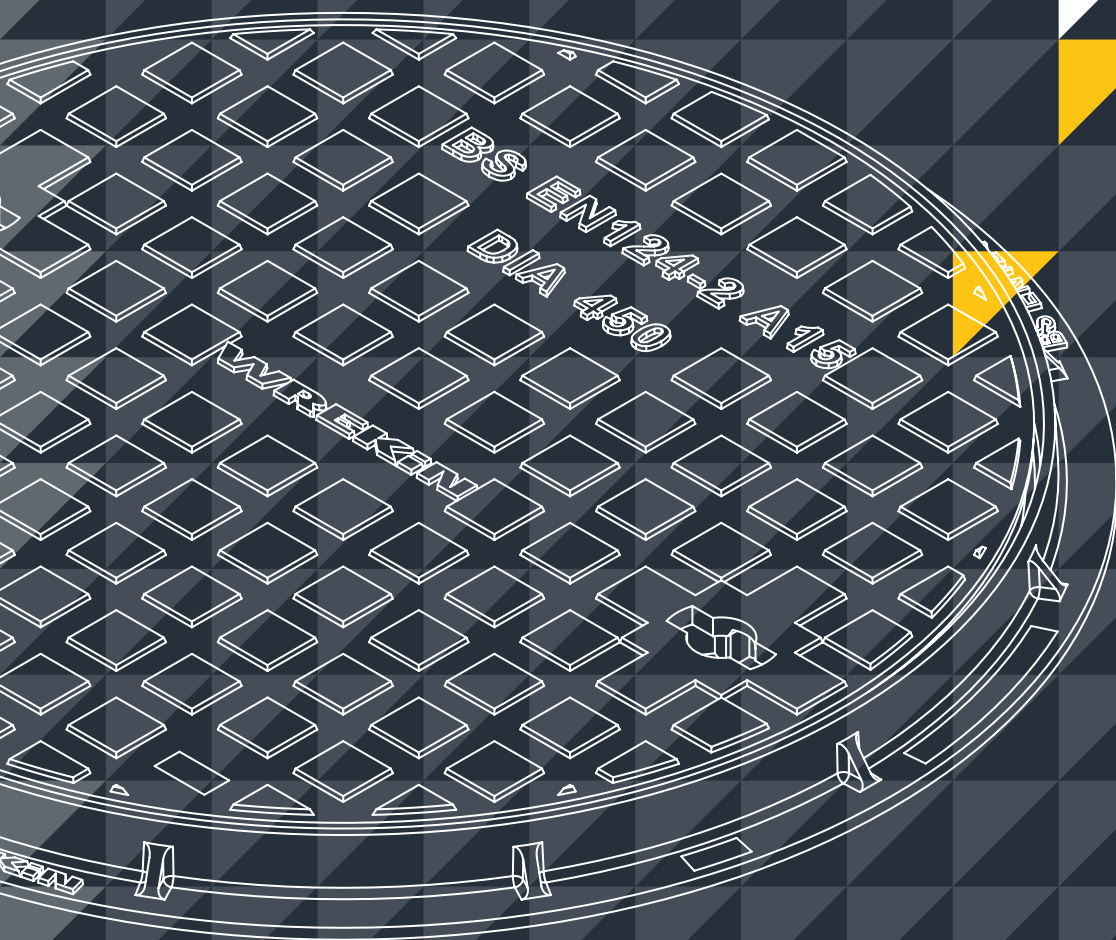
HINGED



Product Features

- ▶ Designed with anti-theft in mind alongside providing optimum strength whilst maximising the available drainage area.
- ▶ The captive hinge allows easy opening for maintenance.
- ▶ Complies with BS EN 124:2015.
- ▶ B125 classification, but capable of withstanding 250kN peak loads.

| STOCK CODE | OVERALL FRAME (A x B mm) | CLEAR OPENING (C x D mm) | FRAME DEPTH (E mm) | BASE OPENING (F x G mm) | WATERWAY AREA (cm ²) |
|---------------|--------------------------|--------------------------|--------------------|-------------------------|----------------------------------|
| DGHOB3/2222/F | 280 x 265 | 225 x 225 | 65 | 225 x 225 | 210 |
| DGHOB3/3030/F | 355 x 345 | 300 x 300 | 75 | 300 x 300 | 375 |





A15 CONTENTS

Manhole covers and gratings capable of withstanding a 1.5 tonne load test.
For use in areas which can only be used by pedestrians and cyclists.



Manhole covers



Safeseal

79



YOUR QUESTIONS ANSWERED **KNOWLEDGE BASE**

We've designed our new Knowledge Base to provide comprehensive support and resources to help you succeed with our products.

Our learning area includes frequently asked questions (FAQs), installation guides, product guidance, and regulatory information, all in one convenient location.



FAQs

Our Frequently Asked Questions section is designed to provide quick and easy answers to common questions related to our products and services.



Installation Guides

Our installation guides provide step-by-step instructions for installing and using our products. These guides are easy to follow and are designed to help you get the most out of our products.



Product Guidance

Our product guidance section includes helpful tips and advice for using our products in various applications. This section is ideal for those who are looking for ways to optimise the use of our products and achieve the best possible results.

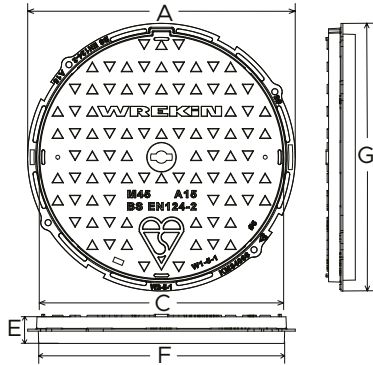


Standards and Conformity

Our standards and conformity section provides you with important information related to regulatory compliance and safety guidelines. This section is ideal for anyone who needs to stay up-to-date with the latest regulations and guidelines in the industry.



SAFESEAL A15 MANHOLE COVERS
ROUND OPENING



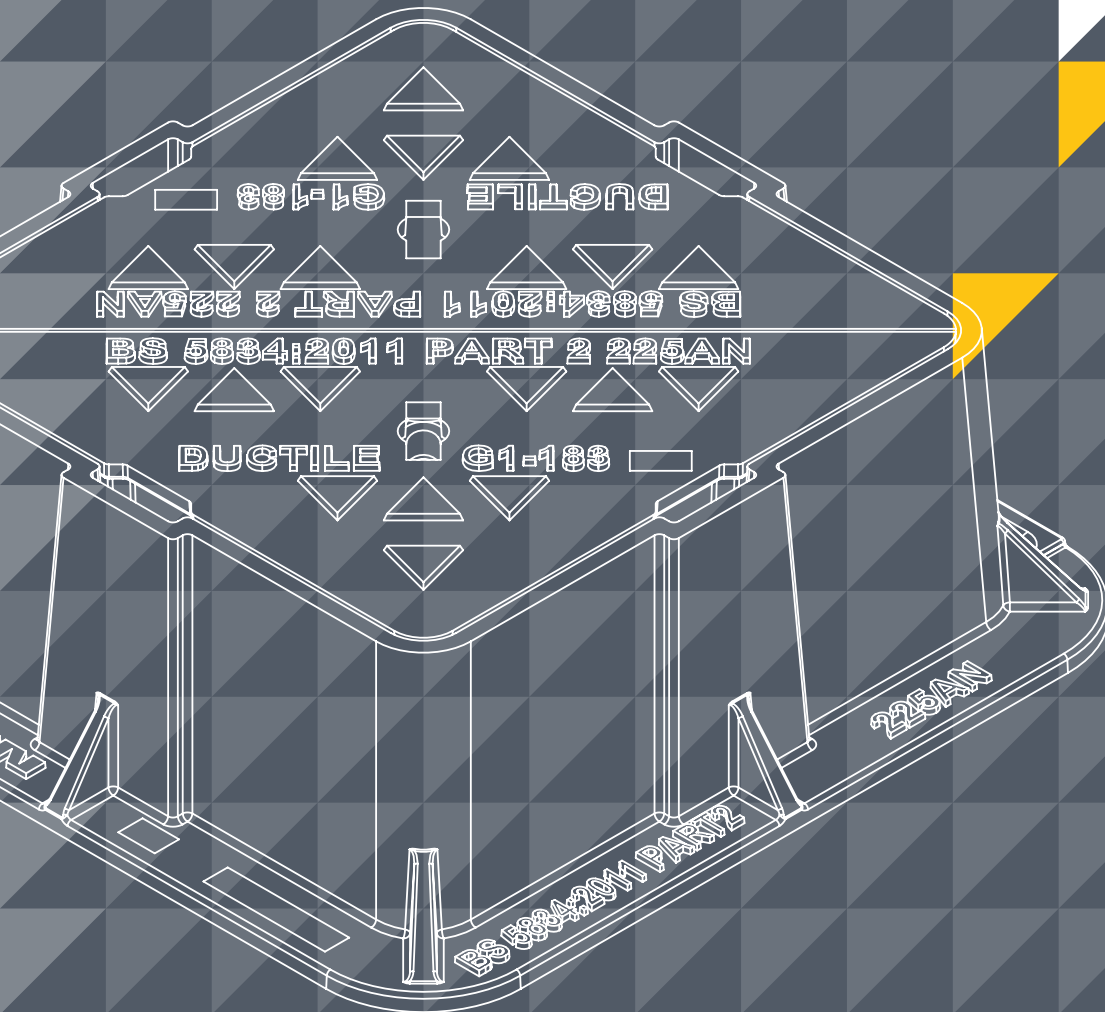
Product Features

- ▶ Labyrinth seal helps to prevent odour escapes and water ingress.
- ▶ Indexed covers ensure correct fit first time, every time.
- ▶ 70+PSRV tested at top surface of chequer.
- ▶ Safety keyway prevents accidental disengagement of the lifting key during the handling process.
- ▶ Compatible with Reducer Ring accessory, p95.







Available Options:

- ▶ Neoprene seal
- ▶ Ventilation holes

| STOCK CODE | OVERALL FRAME (A mm) | CLEAR OPENING (C mm) | FRAME DEPTH (E mm) | BASE OPENING (F mm) |
|--------------|----------------------|----------------------|--------------------|---------------------|
| DMS1A1/45D/K | Ø 540 | Ø 450 | 30 | Ø 450 |
| DMS1A2/45D/K | Ø 540 | Ø 450 | 30 | Ø 490 |

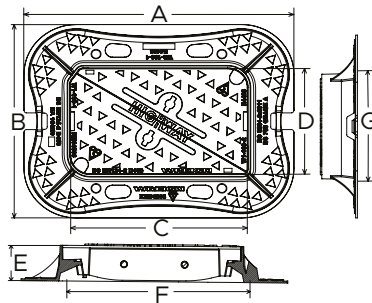


SURFACE BOXES & KERB UNITS CONTENTS

| | | |
|---|-----------------------|-----------|
|  | Surface boxes | |
| <hr/> | | |
|  | Highway | 82 |
| <hr/> | | |
|  | Tristar | 82 |
| | | |
|  | Kerb units | |
| <hr/> | | |
|  | H2GO | 85 |
| <hr/> | | |
|  | Gully chute connector | 85 |



HIGHWAY D400 SURFACE BOXES

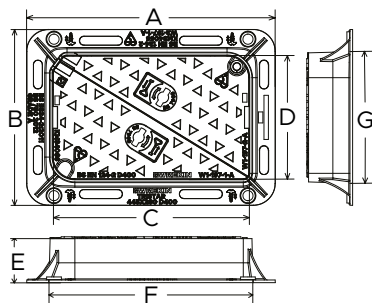


Product Features

- ▶ 70+PSRV tested at top surface of chequer by UKAS accredited 3rd party.
- ▶ Enlarged frame corners help to dissipate load minimising bearing pressure.
- ▶ Indexed covers ensure correct fit first time, every time.
- ▶ Mechanical lifting points are provided.
- ▶ Safety keyway prevents accidental disengagement of the lifting key during the handling process.

| STOCK CODE | OVERALL FRAME (A x B mm) | CLEAR OPENING (C x D mm) | FRAME DEPTH (E mm) | BASE OPENING (F x G mm) |
|----------------|--------------------------|--------------------------|--------------------|-------------------------|
| DBTOD4/4428/KH | 680 x 515 | 445 x 280 | 100 | 465 x 300 |

TRISTAR D400 SURFACE BOXES



Product Features

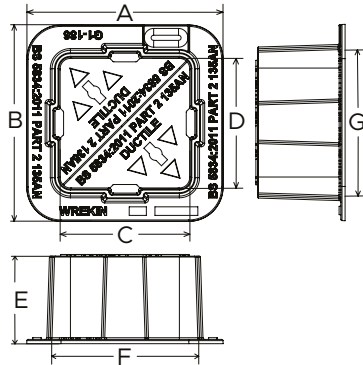
- ▶ 70+PSRV tested at top surface of chequer by UKAS accredited 3rd party.
- ▶ Indexed covers ensure correct fit first time, every time.
- ▶ Safety keyway prevents accidental disengagement of the lifting key during the handling process.

| STOCK CODE | OVERALL FRAME (A x B mm) | CLEAR OPENING (C x D mm) | FRAME DEPTH (E mm) | BASE OPENING (F x G mm) |
|----------------|--------------------------|--------------------------|--------------------|-------------------------|
| DBTOD4/4428/KT | 565 x 400 | 445 x 280 | 100 | 465 x 300 |

TRISTAR GRADE A SURFACE BOXES



Image is illustrative only, other variants may not look like this



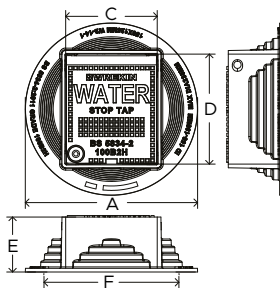
Product Features

- ▶ 70+PSRV tested at top surface of chequer by UKAS accredited 3rd party.
- ▶ Manufactured from highly durable ductile iron, which offers high strength and performance in robust enclosures.
- ▶ BS 5834 Grade A heavy-duty, double triangular surface boxes and a D400 Fire Hydrant surface box.

| STOCK CODE | TYPE OF COVER | OVERALL FRAME (A x B mm) | CLEAR OPENING (C x D mm) | FRAME DEPTH (E mm) | BASE OPENING (F x G mm) |
|-----------------|-------------------------|--------------------------|--------------------------|--------------------|-------------------------|
| DBHOA3/185D/BD3 | Hinged Cover | 270 x 270 | ∅ 185 | 75 | 220 x 220 |
| DBTOA4/1515 | Double Triangular Cover | 230 x 230 | 150 x 150 | 100 | 155 x 155 |
| DBTOA4/2222 | Double Triangular Cover | 305 x 305 | 225 x 225 | 100 | 235 x 235 |
| DBTOA4/3030 | Double Triangular Cover | 380 x 380 | 300 x 300 | 100 | 305 x 305 |
| DBTOA6/1515 | Double Triangular Cover | 260 x 260 | 150 x 150 | 150 | 160 x 160 |
| DBSOA4/1010 | Square Covers | 195 x 195 | 105 x 105 | 100 | 150 x 150 |
| DBSOA5/3823/KT* | Square Covers | 490 x 345 | 380 x 230 | 125 | 390 x 240 |
| DBSOA6/1010 | Square Covers | 195 x 195 | 105 x 105 | 150 | 150 x 150 |

* Products are Kitemarked & conform to BS EN 124 & BS 750.

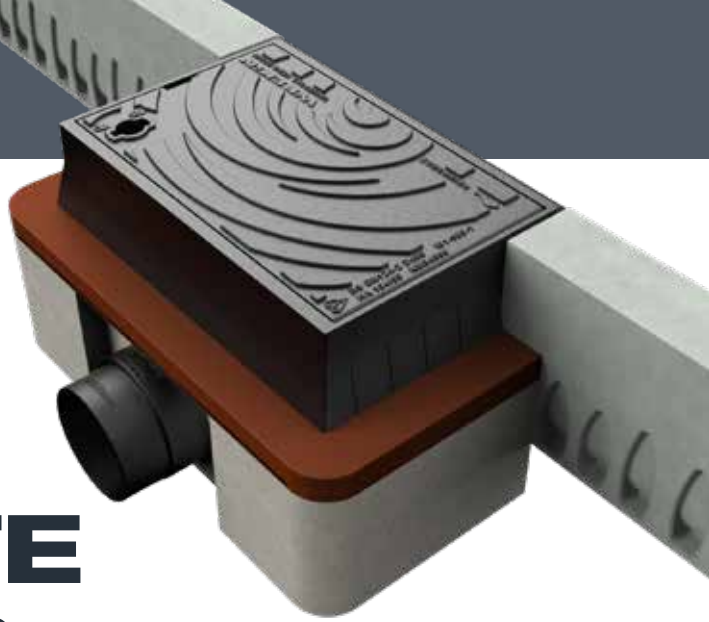
TRISTAR GRADE B SURFACE BOXES



Product Features

- ▶ High durability ductile iron to ensure long term service life.
- ▶ Provide excellent grip thanks to surface pattern.
- ▶ Robust and substantially tougher than plastic alternatives.
- ▶ Easy opening with a prising tool
- ▶ Captive hinges reduce risk of theft and allow easy access for cleaning.
- ▶ The distinctive frame, with stepped recesses is designed to engage with a selection of common pipe diameters.
- ▶ BS 5834 Grade B surface box for use in areas which vehicles would have occasional access

| STOCK CODE | OVERALL FRAME (A mm) | CLEAR OPENING (C x D mm) | FRAME HEIGHT (E mm) | BASE OPENING (F mm) |
|-------------|----------------------|--------------------------|---------------------|---------------------|
| DBHOB3/1311 | ∅ 210 | 110 x 130 | 75 | ∅ 155 |
| DBHOB3/1512 | ∅ 235 | 125 x 150 | 75 | ∅ 185 |
| DBHOB3/1515 | ∅ 250 | 150 x 150 | 75 | ∅ 205 |



H2GO

GULLY CHUTE CONNECTOR

H2GO provides a modern solution to kerb drainage. The range comprises of a kerb unit and gully chute connector which is designed to fit below a grating or kerb type gully unit with a primary catchment chamber and spigot outlet for onward pipe connection.



Ideal where gully grates are offset to gully pots or where direct surface run off is required. Providing high strength, the H2GO gully chute connector fits below Highway 480mm x 320mm clear opening gullies or the H2GO kerb unit to act as a primary catchment chamber.



Designed specifically to interlock with our H2GO kerb mounted unit and our 480mm x 320mm clear opening Highway gully grate assemblies to provide additional security.

The stepped spigot is suitable for 150mm and 160mm pipe sizes, making this product a highly adaptable solution. It also features channel drain breakout guidelines for ease of installation, a textured top surface to improve mortar engagement and lifting key holes for safer handling, with the entire product weighing less than 25 Kg.





GULLY CHUTE CONNECTOR

The H2GO gully chute connector is designed to fix below a grating or kerb type gully unit with a primary catchment chamber and spigot outlet for onward pipe connection. These are ideal where gully grates are offset to gully pots, or where direct surface run off is required.



Spigot designed to receive 150mm or 160mm I/D pipes.

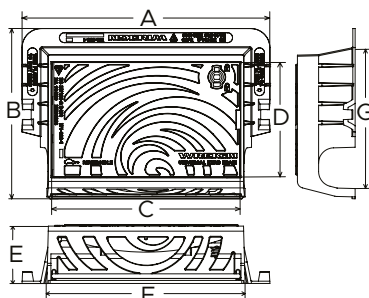


Kerb drain knockouts for ACO HB225 and HB305.



Locating features allow compatible gully grates to locate on top.

H2GO

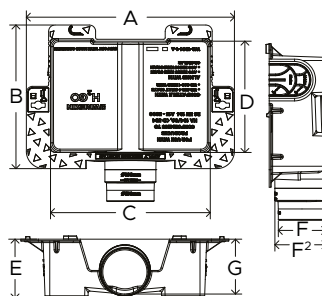


Product Features

- ▶ Captive hinges reduce theft risk whilst allowing easy lifting.
- ▶ BS7903 profiled mechanical lifting points are provided.
- ▶ Reversible hinge allows the grating to hinge with the direction of the traffic flow, improving safety.
- ▶ Lockable.
- ▶ Safety keyway prevents accidental disengagement of the lifting key during the handling process.

| STOCK CODE | OVERALL FRAME (A x B mm) | CLEAR OPENING (C x D mm) | FRAME DEPTH (E mm) | BASE OPENING (F x G mm) |
|--------------|--------------------------|--------------------------|--------------------|-------------------------|
| DGK115/HB/KG | 645 x 445 | 440 x 305 | 150 | 530 x 370 |

GULLY CHUTE CONNECTOR



Product Features

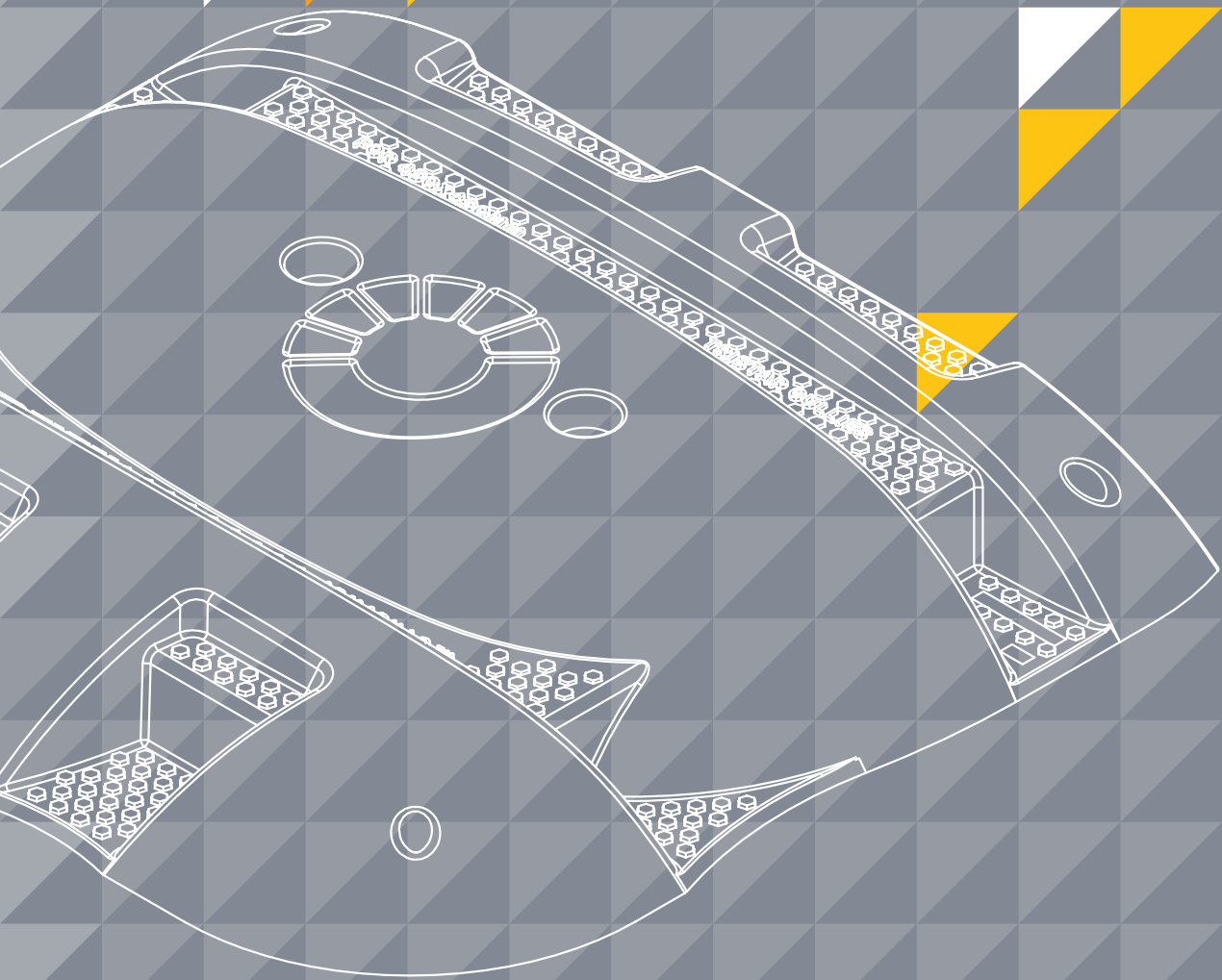
Ideal where gully grates are offset to gully pots or where direct surface run off is required, Wrekin's high strength gully chute connector is designed to fit below Highway 480mm x 320mm clear opening gully or kerb mounted gully unit to act as a primary catchment chamber.

Compatible products

DGHTOD4/5035/KH - Highway D400 3 flange gully grate clear opening 480mm x 320mm clear opening with 100mm frame depth

DGK115/HB/KG - H2GO D400 kerb unit 440mm x 305mm clear opening with 150mm frame depth

| STOCK CODE | OVERALL FRAME (A x B mm) | CLEAR OPENING (C x D mm) | DEPTH (E mm) | SPIGOT O/D (F mm) | FRAME TOP TO SPIGOT INVERT DEPTH (G mm) |
|-------------|--------------------------|--------------------------|--------------|-------------------|---|
| DGCC/6545/G | 655 x 450 | 500 x 350 | 185 | 150/160 | 175 |

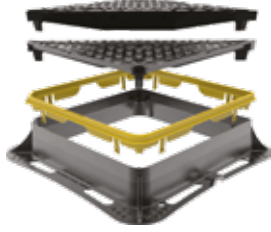


ACCESSORIES & INNOVATIONS CONTENTS

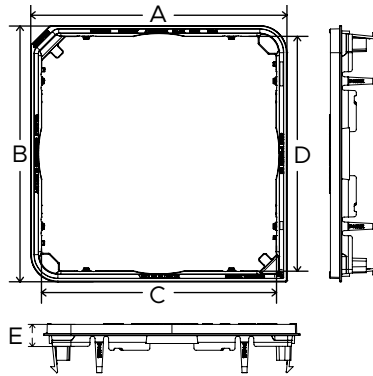
Accessories & Innovations for Ductile Iron Products

| | |
|---|----|
| Clicklift - rapid frame raising system | 88 |
| Armadillo - hard hat for your ironwork | 90 |
| Unipak - rapid set bedding mortar | 93 |
| Uniform - chamber adjustment units | 93 |
| Gritblocker - keyway debris protection | 94 |
| Screwlift - frame levelling system | 94 |
| Multigrate - quick fit, replacement gully grate | 94 |
| Lifting keys | 95 |
| Reducer ring | 95 |
| Seal plates | 96 |
| Security plates | 95 |
| Flood and odour control plates | 97 |
| Safety grilles | 97 |

CLICKLIFT™



*Highlighted in yellow, product is black.



Product Features

- ▶ Raises Tristar & Highway D400 manhole covers to suit the final surface level.
- ▶ Four fixed raising heights; 30, 40, 50 & 60mm.
- ▶ No confined-spaces training, special tools or skill required for installation.
- ▶ Significantly reduces time taken to raise ironwork.

| STOCK CODE | OVERALL FRAME (A x B mm) | CLEAR OPENING (C x D mm) | FRAME DEPTH (E mm) |
|---------------|--------------------------|--------------------------|--------------------|
| CLICKLIFT6030 | 640 x 640 | 600 x 600 | 30 |
| CLICKLIFT6040 | 640 x 640 | 600 x 600 | 40 |
| CLICKLIFT6050 | 640 x 640 | 600 x 600 | 50 |
| CLICKLIFT6060 | 640 x 640 | 600 x 600 | 60 |
| CLICKLIFT6730 | 715 x 715 | 675 x 675 | 30 |
| CLICKLIFT6740 | 715 x 715 | 675 x 675 | 40 |
| CLICKLIFT6750 | 715 x 715 | 675 x 675 | 50 |
| CLICKLIFT6760 | 715 x 715 | 675 x 675 | 60 |

CLICKLIFT COMPATIBILITY CHART

| STOCK CODE | SIZE (mm) | COMPATIBLE PRODUCT (TRISTAR) | | COMPATIBLE PRODUCT (HIGHWAY) | |
|---------------|----------------|------------------------------|----------------|------------------------------|----------------|
| | | 100mm depth | 150mm depth | 100mm depth | 150mm depth |
| CLICKLIFT6030 | 600 x 600 x 30 | DMTOD4/6060/KT | DMTOD6/6060/KT | DMTOD4/6060/KH | DMTOD6/6060/KH |
| CLICKLIFT6040 | 600 x 600 x 40 | | | | |
| CLICKLIFT6050 | 675 x 675 x 50 | | | | |
| CLICKLIFT6060 | 675 x 675 x 60 | | | | |
| CLICKLIFT6730 | 600 x 600 x 30 | DMTOD4/6767/KT | DMTOD6/6767/KT | DMTOD4/6767/KH | DMTOD6/6767/KH |
| CLICKLIFT6740 | 600 x 600 x 40 | | | | |
| CLICKLIFT6750 | 675 x 675 x 50 | | | | |
| CLICKLIFT6760 | 675 x 675 x 60 | | | | |

SUCCESS STORY

CLICKLIFT

Guild Homes (Tayside) Ltd.

ClickLift has proven to be a huge success, after being installed as part of a £50m housing development in north east Scotland.

The developers, family-run Guild Homes (Tayside) Ltd, have been so impressed that they have demonstrated the product to construction colleagues - and intend to use it in further developments.



Robin Guild, operations director of the Forfar-based firm, which he runs with his brother Mark, said: “Everyone thought it was a good product. We even had four or five different people involved in construction who came to see it and all were impressed.”

Robin continued: “We no longer have to cut round and break out manhole covers, build the frames and covers up to finished level and then patch the tar around it. All in all, we are minimising the introduction of a potential weak spot in the tar and saving massively on labour – the process is so quick and simple.”

“The product gives you confidence because of how tightly it clicks in and remains solid and secure, even when driven over by the tar wagons and paving machine.”

In the early stages of a housing development, the manhole covers and frames are set flush with the top of the binder layer. The use of ClickLift eliminates the resources needed to break out and build up these manhole frames once the final road surface is to be laid.

Simon Turner, commercial director at Wrekin, said: “With ClickLift, the original cover and frame are installed at the finished binder layer level and then, prior to the finished surface layer being applied, the manhole cover is simply and quickly raised with a ClickLift frame extender.

Guild Homes introduced ClickLift to its award-winning Strathmore Fields development of 236 homes on Kirriemuir Road, Forfar. In the first and second phases, with 122 properties already occupied, they raised 45 covers using ClickLift. Phase three is under construction, with phase four due to be ready by the end of 2023.

Robin added: “As a company, we believe in doing things properly and not cutting corners. We use quality components, and our aim is to finish everything to a

“ We initially ordered 20 ClickLift frames but, **as soon as we realised how good they were to use, we increased our order to 50.** The system has worked extremely well for us and we were impressed with how much it **reduced costs and saved time.** ”

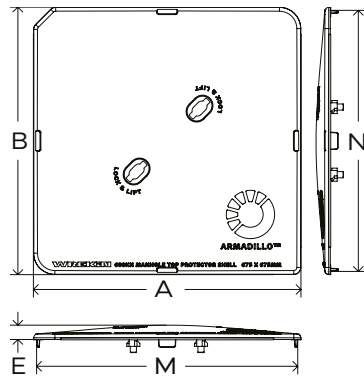
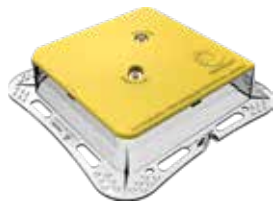
Robin Guild,
Operations Director, Guild Homes (Tayside) Ltd.



standard that we would be happy to live with ourselves, and that includes the quality of the manhole covers and frames that we use.

“I think that within two or three years there will be large numbers of people using ClickLift. It almost halves your cost and takes a fraction of the time to use when compared to the traditional method of raising ironwork.”

ARMADILLO MANHOLE COVER PROTECTOR SHELL



Protects Highway and Tristar manhole covers during the initial construction phase of new build developments. The Armadillo manhole cover protector shell allows covers to be exposed to conventional site traffic.

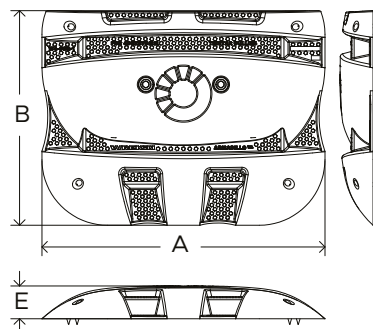
- ▶ Provides protection up to 60 tonnes.
- ▶ Secure vertical anchors prevent lateral movement and fit into existing keyways.
- ▶ Anti-debris guard and seal deters unwanted sediment and spills from entering the drainage system.
- ▶ Easy one person installation and removal.
- ▶ Designed to be reusable and 100% recyclable.

Options: Enhanced anti-slip coating, Alternative badging, Customised colour scheme.

Notes: Secured in place with M16 Allen bolts.

| STOCK CODE | COMPATIBLE WITH: COVER (mm) | OVERALL SIZE (A x B mm) | INNER SIZE (M x N mm) | HEIGHT (E mm) |
|----------------|--------------------------------|----------------------------|--------------------------|------------------|
| ARMMSHELL/6060 | 600 x 600 | 615 x 615 | 600 x 600 | 55 |
| ARMMSHELL/6767 | 675 x 675 | 690 x 690 | 675 x 675 | 55 |

ARMADILLO GULLY GRATE PROTECTOR SHELL



Protects raised Tristar gully grates from extreme loads during the initial construction phase of new build developments. The Armadillo gully grate protector shell completely enshrouds Tristar gully grates, allowing gratings to be left raised and withstand extreme loads.

- ▶ For use in Group 3 applications.
- ▶ Simple installation by placing over raised gully grates, can be secured in place with optional quarter turn spring loaded locking clamps.
- ▶ Anti-debris guard deters unwanted waste from entering the drainage system.
- ▶ Accommodates up to 50mm of frame protrusion above the surrounding road surface

Options: Lock and lift clamps, Enhanced anti-slip coating, Alternative badging, Customised colour scheme.

| STOCK CODE | COMPATIBLE WITH: RANGE | COMPATIBLE WITH: CLEAR OPENING (mm) | OVERALL SIZE (A x B mm) | HEIGHT (E mm) |
|----------------|---------------------------|--|----------------------------|------------------|
| ARMGSHELL/4337 | Tristar Gully Grates | 430 x 370 | 645 x 490 | 75 |

ARMADILLO MANHOLE COVER PROTECTOR SHELLS COMPATIBILITY

| STOCK CODE | COMPATIBLE PRODUCT | SIZE (mm) | DESCRIPTION | INCLUDED ACCESSORIES |
|----------------|--------------------|-----------------|----------------------------|---|
| ARMMSHELL/6060 | DMTOD4/6060/KT | 600 x 600 x 100 | Tristar D400 manhole cover | Neoprene (x4), bolt (x2), nut (x2), washer (x2) |
| ARMMSHELL/6060 | DMTOD6/6060/KT | 600 x 600 x 150 | Tristar D400 manhole cover | Neoprene (x4), bolt (x2), nut (x2), washer (x2) |
| ARMMSHELL/6767 | DMTOD4/6767/KT | 675 x 675 x 100 | Tristar D400 manhole cover | Neoprene (x4), bolt (x2), nut (x2), washer (x2) |
| ARMMSHELL/6767 | DMTOD6/6767/KT | 675 x 675 x 150 | Tristar D400 manhole cover | Neoprene (x4), bolt (x2), nut (x2), washer (x2) |
| ARMMSHELL/6060 | DMTOD4/6060/KH | 600 x 600 x 100 | Highway D400 manhole cover | Neoprene (x4), bolt (x2), nut (x2), washer (x2) |
| ARMMSHELL/6060 | DMTOD6/6060/KH | 600 x 600 x 150 | Highway D400 manhole cover | Neoprene (x4), bolt (x2), nut (x2), washer (x2) |
| ARMMSHELL/6767 | DMTOD4/6767/KH | 675 x 675 x 100 | Highway D400 manhole cover | Neoprene (x4), bolt (x2), nut (x2), washer (x2) |
| ARMMSHELL/6767 | DMTOD6/6767/KH | 675 x 675 x 150 | Highway D400 manhole cover | Neoprene (x4), bolt (x2), nut (x2), washer (x2) |

**Armadillo manhole cover protector shells are not compatible with the Highway Halohing range of manhole covers.*

ARMADILLO GULLY GRATE PROTECTOR SHELLS COMPATIBILITY

| STOCK CODE | COMPATIBLE PRODUCT | SIZE (mm) | DESCRIPTION | OPTIONAL ACCESSORIES |
|----------------|--------------------|-----------|--------------------------|--------------------------|
| ARMGSHELL/4337 | DGH0D4/4337/KT | 430 x 370 | Tristar D400 gully grate | Lock and lift clamp (x2) |
| ARMGSHELL/4337 | DGH0D6/4337/KT | 430 x 370 | Tristar D400 gully grate | Lock and lift clamp (x2) |

BESPOKE ARMADILLO

Armadillo manhole covers and gully grate shells can be customised to meet individual customer requirements, including custom colour schemes, bespoke chequer patterns, enhanced anti-slip coating, and alternative badging.

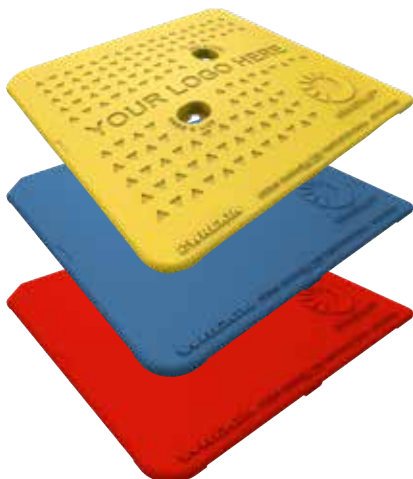
**Minimum order quantities and lead time applies - please contact the office for details.*

Get in touch to enquire:

Tel. 01543 440 440

Fax. 01543 440 444

Email. info@wrekinproducts.com



UNIPAK™

RAPID-SET BEDDING MORTAR

Unipak mortar is a rapid-set, high strength bedding mortar designed to prevent bedding failure, and is suitable for all UK BS EN 124-2 applications.

It can be used on its own or with Uniform chamber adjustment units which are made from the same two part polyester resin material (a proven material used in highway construction) which sets to form a highly durable, homogeneous structure.



Unipak avoids many of the problems associated with cement-based mortar and allows rapid road opening, curing in as little as 25 minutes. Simply mix both parts together for a consistent and repeatable result. Removing issues of performance loss due to operator judgement or personal mix preferences.

With a very low slump factor, compared with other mortars, Unipak provide ironwork with support even in an uncured condition. Its low notch sensitivity provides crack resistance, which could be caused by any sharp or angular ironwork or tools.

Unipak's unique colour allows it to be easily identified. Available in three tub sizes (6.5kg, 12.5kg and 25kg), it is easy to select the right quantity for small surface boxes up to the largest of covers, reducing waste to a minimum.

Comprised of two components:

- ▶ Unipak rapid curing resin-based mortar to replace traditional poor-performance cement mortar.
- ▶ Uniform multi-sized adjustment units, replacing ad-hoc packing methods with bricks, wood or other unsuitable materials.



UNIPAK BENEFITS



Simple to use

Easy to mix, manipulate and form. Unipak has low notch sensitivity and high slump resistance. Installation is simple, using conventional tools.



Meets and exceeds the standards

Exceeds CD 534, ideal for BS EN 124 applications (Group 1 to 4), certified for highway use by BBA HAPAS (Highway Authorities Product Approval Scheme).



Early road opening

Unipak cures rapidly, in as little as 25 minutes, reducing inconvenience to road users while minimising operatives' exposure to a potentially hazardous construction environment.



Easy installation and storage

Simple to install with conventional tools. Unopened containers can be stored in a cool, dry location, away from extremes of temperature for up to 9 months.

UNIPAK™



- ▶ **Easy to store**
Unopened containers can be stored in a cool, dry location, away from extremes of temperature.
- ▶ **Simple to use**
Easy to mix, manipulate and form. Unipak has low notch sensitivity and high slump resistance.
- ▶ **Standard installation**
Simple installation process using conventional tools.
- ▶ **Meets and exceeds the standards**
Exceeds MCHW (CD534) and ideal for BS EN 124 applications (Group 1 to 4). Certified for highway use by BBA HAPAS (Highway Authorities Product Approval Scheme).
- ▶ **Early road opening**
Unipak cures rapidly, in as little as 30 minutes.

| STOCK CODE | UNIFORM ADJUSTMENT UNITS | SIZE (mm) |
|------------|--------------------------|-----------|
|------------|--------------------------|-----------|

| | | |
|------------------|--------------------|----------------|
| PC/UNIPAK/151076 | Adjustment unit 1A | 760 x 100 x 15 |
| PC/UNIPAK/251076 | Adjustment unit 3C | 760 x 100 x 25 |

| STOCK CODE | UNIFORM SUPPORT WEDGES | SIZE (mm) |
|------------|------------------------|-----------|
|------------|------------------------|-----------|

| | | |
|--------------------|---------------|---------------|
| PC/UNIWEDGE/755012 | Support wedge | 120 x 50 x 75 |
|--------------------|---------------|---------------|

| STOCK CODE | UNIPAK MORTAR | TUB PACKING (kg) |
|------------|---------------|------------------|
|------------|---------------|------------------|

| | | |
|------------|-------------------|------|
| YPCR/U6.5 | Mortar (standard) | 6.5 |
| YPCR/U12.5 | Mortar (standard) | 12.5 |
| YPCR/U25 | Mortar (standard) | 25 |

GRITBLOCKER™



Access cover keyways filled with debris can lead to incorrect lifting of a manhole covers out of the ground, creating a health and safety risk. Fixing this can take time and can be potentially dangerous to operatives.

Gritblocker is the solution! An anti-blockage keyway insert which simply fits into the manhole cover keyway preventing debris from blocking the opening and allows a lifting key to be inserted.

| STOCK CODE | DESCRIPTION | WIDTH (mm) | HEIGHT (mm) | QUANTITY |
|-------------|-----------------------------|------------|-------------|----------|
| GRITBLOCKER | Anti-blockage keyway insert | 50 | 50 | 20 |

SCREWLIFT™



Screwlift is our simple and rapid manhole frame levelling system. Screws and plastic bushes are used to allow really quick and easy levelling of manhole covers and gully grates.

The bushes simply push into the holes in the flange, and are adjusted with the levelling screws to the required height. Once in place, simply apply the flowable bedding mortar.

Pack contents (1 set):

- ▶ Plastic brushes: 4
- ▶ Allen Keys: 1
- ▶ 5mm Hex Screw Bit: 1
- ▶ Levelling Bolts: 4
- ▶ Total Components: 10

| STOCK CODE | DESCRIPTION |
|------------|--------------------------------|
| SCREWLIFT | Manhole cover levelling system |

MULTIGRATE



The smart, rapid and cost effective solution to temporary replacement of stolen and broken gully grates.

Stolen gully grates are a severe problem for authorities responsible for roads and highways. Multigrate provides a high-quality, safe, easy-to-install, temporary fix to keep roads open until a permanent solution can be installed.

Suitable for Group 1 to 3 applications.

- ▶ One grate fits 90% of all gratings, reducing repeat visits to depots and site.
- ▶ The temporary grating has no scrap value, but is completely reusable.
- ▶ Use the cutting guides to cut to shape with readily available construction tools.
- ▶ Reduced stock holding, allowing Multigrate to always be on hand.
- ▶ EN124 drainage apertures ensures no loss of performance.
- ▶ Manufactured from non-toxic materials, providing safety to installers.
- ▶ Easy to handle and install.

| STOCK CODE | OVERALL FRAME (MM) | FRAME DEPTH (mm) | WATERWAY AREA (cm ²) |
|---------------|--------------------|------------------|----------------------------------|
| PG/MULTIGRATE | 510 x 450 | 80 | 721 |

LIFTING KEYS



KEYS/L



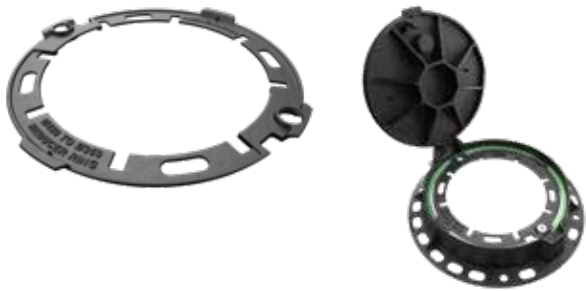
KEYSHEAVY



KEY/LONG

| STOCK CODE | DESCRIPTION | DESIGN | LENGTH (mm) |
|------------|-----------------------------|--------------------------|-------------|
| KEYS/L | Multi-cover lifting key | Cross - light/heavy-duty | 128 |
| KEYSLIGHT | Light duty lifting key | Cross - light duty | 98 |
| KEYSHEAVY | Heavy-duty lifting key | Loop - heavy-duty | 171 |
| KEY/LONG | Heavy-duty long lifting key | Loop - heavy-duty | 566 |

REDUCER RING



Aiding compliance with Part H of the Building Regulations, our ductile iron reducer ring reduces the clear opening from 450 mm to a 350mm diameter.

This provides a second line of defence against chambers being accessed by unauthorised people, or potential falls if accidentally left uncovered.

Compatible with a range of Wrekin access cover products.

Compatible with:

- ▶ DMT04/4545/KHSQR
- ▶ DMS1A1/45D/K
- ▶ DMS1A2/45D/K
- ▶ DMS1B2/45D
- ▶ DMS1B2/45DKSQR
- ▶ DMS1D4/45D/KT

| STOCK CODE | DESCRIPTION |
|----------------|-----------------------------|
| DREDRING/45/35 | 450mm to 350mm Reducer Ring |

SEAL PLATES



The Unite retrofitable seal plate is manufactured from ductile iron, setting it apart from the competition.

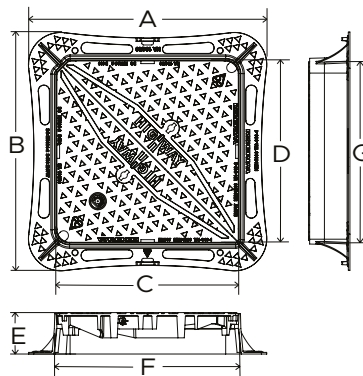
Alternatives, which are often manufactured from GRP, can allow corrosion to form between the plate and frame. In fact, other materials can even accelerate corrosion. Our ductile iron assembly provides the best corrosion resistance, as the covers, frames and seal plates are all made from the same material.

The No Leak seal plate achieves a WIS 4-26-01 Class 3 leakage classification of 0.8Litres/hour/m².

The Low Leak seal plate achieves a WIS 4-26-01 Class 2 leakage classification of 0.8Litres/hour/m².

| STOCK CODE | LOW / NO LEAK | LOAD CLASS COMPATIBILITY | COMPATIBLE WITH (STOCK CODE) | DIMENSIONS (mm) |
|----------------|---------------|--------------------------|-----------------------------------|-----------------|
| DEUESP/6060/LL | Low leak | E600 | DMTOE4/6060/KUE & DMTOE6/6060/KUE | 600 x 600 |
| DEUESP/6060/NL | No leak | E600 | DMTOE4/6060/KUE & DMTOE6/6060/KUE | 600 x 600 |
| DEUESP/6767/LL | Low leak | E600 | DMTOE4/6767/KUE & DMTOE6/6767/KUE | 675 x 675 |
| DEUESP/6767/NL | No leak | E600 | DMTOE4/6767/KUE & DMTOE6/6767/KUE | 675 x 675 |
| DUESP/6060/LL | Low leak | D400 | DMTOD6-6060-KUE | 600 x 600 |
| DUESP/6060/NL | No leak | D400 | DMTOD6-6060-KUE | 600 x 600 |

SECURITY PLATES



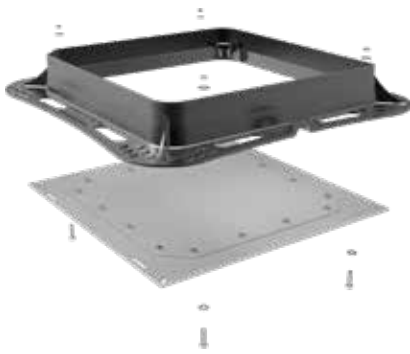
This plate acts as an additional layer of protection for critical infrastructure below, thwarting trespassers while ensuring authorised personnel retain unimpeded access.

Product Features

- ▶ Comes with galvanized mild steel security plate & sub frame
- ▶ For more information on Highway products, see page 49
- ▶ For more information about Tristar products, see page 52
- ▶ For more information about SafeSeal products, see page 72

| STOCK CODE | PRODUCT | OVERALL FRAME (A x B mm) | CLEAR OPENING (C x D mm) | FRAME DEPTH (E mm) | BASE OPENING (F x G mm) |
|--------------------|---------------|--------------------------|--------------------------|--------------------|-------------------------|
| DMTOD4/6060/KHMDSP | Highway D400 | 810 x 810 | 600 x 600 | 100 | 620 x 620 |
| DMTOD6/6060/KHMDSP | Highway D400 | 810 x 810 | 600 x 600 | 150 | 620 x 620 |
| DMTOD4/1267/KHMDSP | Highway D400 | 1,460 x 895 | 1,220 x 675 | 100 | 1,245 x 700 |
| DMTOD6/1267/KHMDSP | Highway D400 | 1,460 x 895 | 1,220 x 675 | 150 | 1,245 x 700 |
| DMTOD4/6060/KTMDSP | Tristar D400 | 760 x 760 | 600 x 600 | 100 | 620 x 620 |
| DMTOD6/6060/KTMDSP | Tristar D400 | 760 x 760 | 600 x 600 | 150 | 620 x 620 |
| DMS1B3/6060/KMDSP | SafeSeal B125 | 710 x 710 | 600 x 600 | 75 | 650 x 650 |

FLOOD AND ODOUR CONTROL PLATES



The Wrekin flood and odour control plate is an optional accessory which can be factory-fitted to Wrekin ductile iron access cover and frames. It is designed to provide the access cover frame with resistance to egress of chamber odours, flood water ingress and intermittent chamber pressures of up to 0.5 bar while allowing access to the chamber via a removable steel lid.

Product Features

- ▶ Mild steel lid and sub-frame construction.
- ▶ Does not affect Kitemark or other third party certification.
- ▶ Zinc protection to mild steel.
- ▶ This product is not recommended for situations with prolonged internal or external pressure.



When specifying the use of Flood & Odour Control Plate with a particular Wrekin access cover, add a “**PG**” suffix to the access cover stock code shown in the catalogue, e.g. **DMTOD4/6060/KTPG**.

Find out more online at wrek.in/floodplate



SAFETY GRILLES

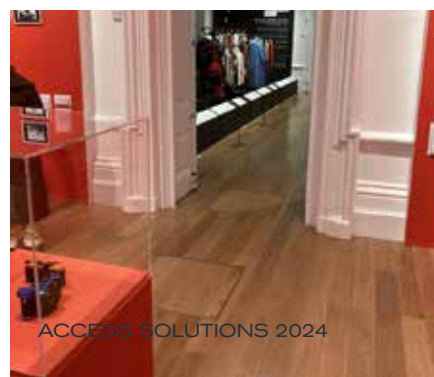


Our safety grilles are a robust factory-fitted accessory designed for standard access covers and frames. Offering a long life, they provide a high level of operator and access cover safety while allowing in-situ chamber inspection or easy removal for chamber access.

Lightweight versions are also available. Hot dip galvanised to BS EN ISO 1461:2009.


For supply with new Wrekin ductile iron covers and frames only.

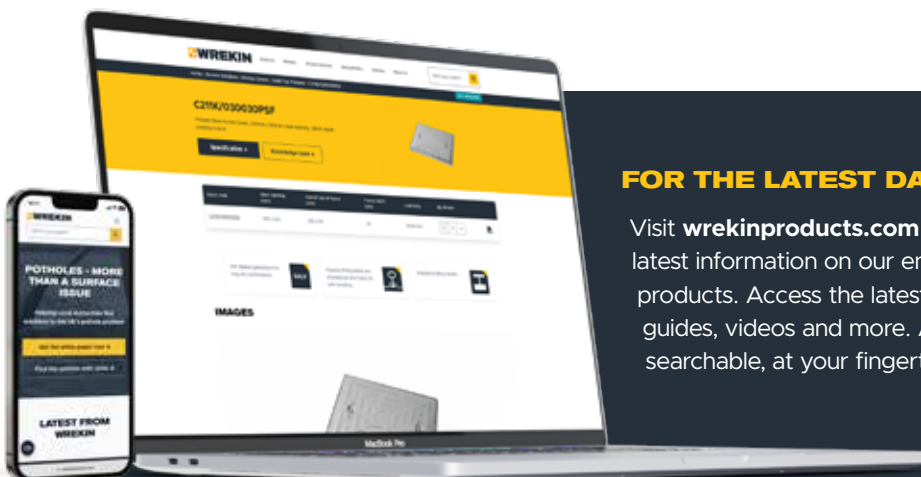
| STOCK CODE | ITEM | CLEAR OPENING (mm) | SAFETY GRILL (C x D mm) | DEPTH (mm) | SAFETY GRILL (A x B mm) |
|-------------------|--------------------|--------------------|-------------------------|------------|-------------------------|
| C2F/SGRILLE/6060L | 600mm Safety Grill | 500 | 500 x 600 | 65 | 700 x 700 |
| C2F/SGRILLE/6767L | 675mm Safety Grill | 575 | 575 x 675 | 65 | 775 x 775 |



STEEL ACCESS COVERS

CONTENTS

| | | |
|---|--|-----|
|  | Solid top | 105 |
|  | Recessed trays for block infill | 109 |
|  | Deep recessed trays for floor finish | 112 |
|  | Shallow recessed trays for floor finish | 115 |
|  | Recessed trays for block infill - Openreach approved | 117 |
|  | Concrete filled trays - Openreach approved | 119 |
|  | Recessed aluminium trays for floor finish | 121 |



FOR THE LATEST DATA

Visit wrekinproducts.com for the very latest information on our entire range of products. Access the latest datasheets, guides, videos and more. All fully searchable, at your fingertips.



wrek.in



CHOOSING THE RIGHT STEEL COVER

Although BS EN 124 does cover manhole tops manufactured from a variety of materials including steel, it is argued that some test procedures are inappropriate for steel.

Low risk applications don't necessarily require full BS EN 124 test protocols and associated costs, where the adaptable nature of steel fabrications can provide a safe alternative.

In addition, steel fabrication is a highly flexible process allowing all sorts of non-standard sizes and designs that are not covered by BS EN 124.

As a consequence, the industry in the UK uses a number of definitions of loading categorisation that can be confusing. Some are historical descriptions while others are descriptions based on the gross laden weight of a vehicle or individual wheel loads. There can be conflicting definitions of exactly what the descriptions mean and how the access cover will perform.

In an attempt to apply some logic and give guidance to users the Fabricated Access Covers Association (FACTA), of which Wrekin is a member, has produced definitions and loading categorisations in the form of classes for fabricated covers but not pressed tops.

In addition many of the historical loading descriptions still persist, so using our 30 years experience and technical knowledge, Wrekin have produced a guide to load categorisations and the correct choice of Wrekin product.

KEY POINTS

Where steel products are suitable for use in vehicle situations they are designed for slow moving traffic applications only. They must never be used in highways or any other area of fast moving traffic.

Access covers manufactured from pressed steel are recommended only for areas of low intensity traffic.

None of the loading categorisations can be directly compared to BS EN 124.



| Load duty | | Historical description | Slow moving wheel load (SMWL) | | FACTA Class (for comparison) | EN124 |
|---|----------------------------|-----------------------------------|-------------------------------|-------------|---------------------------------|-------|
| | | Gross laden vehicle weight (GLVW) | Pneumatic tyres | Solid tyres | | |
|  | Pedestrian | Often described as 2.5tn | N/A | N/A | A | A15 |
|  | Domestic light duty | 5t | 1.5t | 0.25t | AA | N/A |
|  | Light / medium duty | 10t | 2.5t | 0.5t | AAA | N/A |
|  | Light / medium duty | 17t | 4.25t | 0.5t | AAA | N/A |
|  | Medium duty | 25t | 5t | 0.75t | B | B125 |
|  | Medium / heavy duty | 38t | 6.5t | 1.5t | C | C250 |
|  | Heavy duty | 44t | 11.5t | 3t | D | D400 |
|  | Fork-lift / docks | Special application vehicles | 16t | 5t | E | E600 |
|  | Airport | Special application vehicles | 24t | N/A | F | F900 |

KEY TERMINOLOGY

Clear Opening

The hole dimensions of the chamber or the aperture within the product frame (when the cover is removed).

Over Top of Frame

The external dimensions of the top of the frame.

Overall size

The external dimensions of the frame including any fixing flange or lugs.

GLVW

Gross Laden Vehicle Weight (the total weight of a vehicle).

SMWL

Slow Moving Wheel Load (the weight applied by one wheel of a vehicle).

Keyway Blanking Plugs

Accessory which will cover the lifting key slots to prevent a potential trip hazard.

Twin Covers

Two covers in a single frame.

SQR or Square to Round

A circular clear opening within a square frame allowing correct seating on a circular chamber.

Reinforcing bars in recess

A mesh or series of bars in the tray base to better secure concrete infill.

Labyrinth Seal

A metal seal (sometimes used in conjunction with neoprene seals) to affect an ingress resistant / odour egress resistant seal. Can be used on its own or with grease.

Slide Out

A feature allowing easy removal of block paving infill covers.

TAILORED STEEL SOLUTIONS



We offer a comprehensive range of bespoke steel solutions including installation services. We work with you to understand your project requirements and are happy to provide free of charge site surveys along with bespoke CAD design services where required.

Our bespoke steel solutions include the design, fabrication, and installation of various steel structures and components. We offer a robust range of bespoke steel options that give you a solution for every scenario.





BESPOKE STEEL ACCESS COVERS

We have over 30 years experience in the design and manufacture of specialist fabricated access covers & frames. Our innovative approach to design & manufacture allow us to offer cover solutions for any chamber size, in any location.

MULTIPLE SOLID TOP

Our multiple solid top covers and frames are manufactured from galvanised steel and can be constructed to suit almost any chamber clear opening. Covers and frames are constructed from heavy gauge rolled steel plate and section and galvanised to BS EN ISO 1461 after fabrication.

BLOCK PAVIOUR PLAIN SEATED

Recessed covers and frames for use in areas of block paving where it is desirable to have continuity of surface finish. They are recessed 100mm for use with up to 80mm block paving and galvanised to BS EN ISO 1461.

OUR STANDARD RANGE INCLUDES

- ▶ Steel access covers
- ▶ Sewers for adoption grilles
- ▶ Raked gratings
- ▶ Handrails
- ▶ Ladders and step irons
- ▶ Safety chains and signage





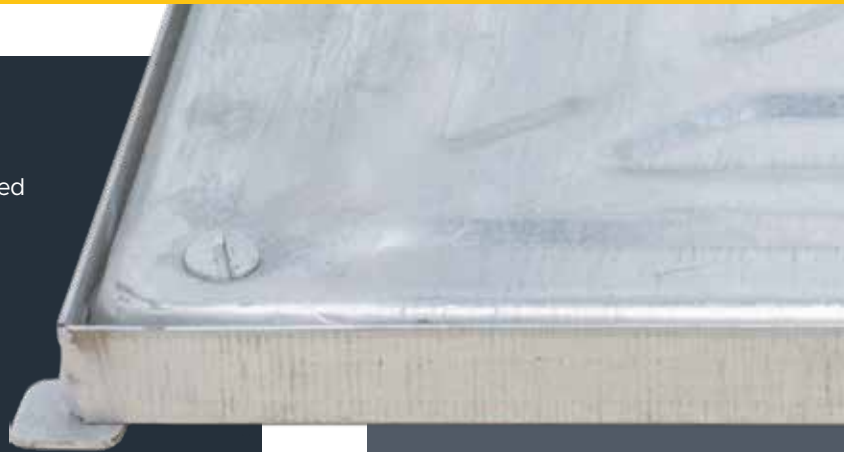
SOLID TOP STEEL ACCESS COVERS

Wrekin's pressed mild steel access covers and frames are available in a comprehensive range of sizes and loadings. Hot dipped galvanising to BS EN ISO 1461 provides corrosion resistance. This range of covers provides a cost-effective solution for infrequent and slow-moving traffic situations. The raised surface pattern is designed to avoid water pooling.

PRESSED CORNER COVER

The notchless die drawn corners on Wrekin pressed tops provide a continuous surface seal, giving the following benefits:

- ▶ No sharp exposed edges.
- ▶ No cut exposed edges improve corrosion resistance.
- ▶ Better for avoiding water ingress and odour egress



APPLICATIONS

- ▶ Domestic housing
- ▶ Yards / patios / gardens
- ▶ Driveways
- ▶ Landscaped areas

SINGLE SEAL PRODUCTS

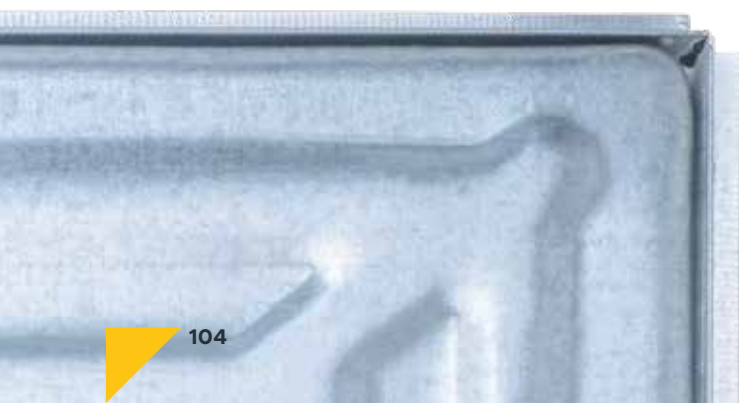
The single seal arrangement is achieved with a continuous cover/frame labyrinth.

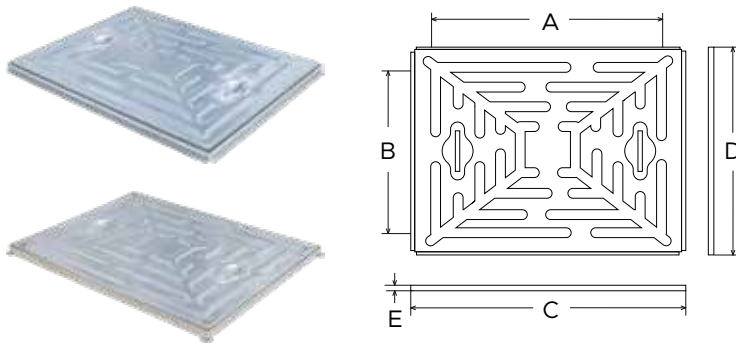
Filling the frame labyrinth with grease will enhance the effectiveness of the seal, providing a low-to-moderate level of resistance to gaseous egress/water ingress under normal atmospheric pressure. For increased sealing capacity our double sealed version should be considered.

DOUBLE SEAL PRODUCTS

The double seal arrangement is achieved with a unique captive 'o' ring under lateral compression in a specially designed lipped channel, enhanced by the continuous cover edge. A second seal is achieved with an additional gasket which is vertically compressed in the channel.

This double seal provides an enhanced level of resistance to gaseous and/or liquid ingress and/or egress under normal atmospheric pressure.



SOLID TOP
 SINGLE AND DOUBLE SEAL

Product Features

- ▶ Hot dipped galvanised to BS EN ISO 1461, to prevent corrosion for a long life
- ▶ Continuous labyrinth seal for resistance to water ingress and odour egress
- ▶ Robust steel frame to ensure maximum adhesion to the bedding material
- ▶ For lifting keys, see page 95.

| STOCK CODE | SEAL | LOAD CLASS (slow moving wheel load) | CLEAR OPENING (mm) | OVERALL TOP OF FRAME (mm) | FRAME DEPTH (mm) |
|-------------------|-------------|--|-----------------------|------------------------------|---------------------|
| C211K/030030PSF | Single Seal | 0.5t (Pedestrian) | 300 x 300 | 345 x 345 | 25 |
| C211K/045045PSF | Single Seal | 0.5t (Pedestrian) | 450 x 450 | 495 x 495 | 25 |
| C211K/060045PSF | Single Seal | 0.5t (Pedestrian) | 600 x 450 | 645 x 495 | 25 |
| C211K/060060PSF | Single Seal | 0.5t (Pedestrian) | 600 x 600 | 645 x 645 | 25 |
| C211L/045045PSF | Single Seal | 1.5t (5t GLVW) | 450 x 450 | 495 x 495 | 25 |
| C211L/060045PSF | Single Seal | 1.5t (5t GLVW) | 600 x 450 | 645 x 495 | 25 |
| C211L/060060PSF | Single Seal | 1.5t (5t GLVW) | 600 x 600 | 645 x 645 | 25 |
| C211M/060045PSF | Single Seal | 2.5t (10t GLVW) | 600 x 450 | 645 x 495 | 25 |
| C211M/060060PSF | Single Seal | 2.5t (10t GLVW) | 600 x 600 | 645 x 645 | 25 |
| C211MP/060045PSF | Single Seal | 3.75t (15t GLVW) | 600 x 450 | 645 x 495 | 25 |
| C211MP/060060PSF | Single Seal | 3.75t (15t GLVW) | 600 x 600 | 645 x 645 | 25 |
| C211N/060045PSF | Single Seal | 5t (26t GLVW) | 600 x 450 | 645 x 495 | 25 |
| C211N/060060PSF | Single Seal | 5t (26t GLVW) | 600 x 600 | 645 x 645 | 25 |
| C221K/060045PSF * | Double Seal | 0.5t (Pedestrian) | 600 x 450 | 645 x 495 | 25 |
| C221K/060060PSF * | Double Seal | 0.5t (Pedestrian) | 600 x 600 | 645 x 645 | 25 |
| C221L/060045PSF * | Double Seal | 1.5t (5t GLVW) | 600 x 450 | 645 x 495 | 25 |
| C221L/060060PSF * | Double Seal | 1.5t (5t GLVW) | 600 x 600 | 645 x 645 | 25 |
| C221M/060045PSF * | Double Seal | 2.5t (10t GLVW) | 600 x 450 | 645 x 495 | 25 |
| C221M/060060PSF * | Double Seal | 2.5t (10t GLVW) | 600 x 600 | 645 x 645 | 25 |

* Comes with four locking screws



RECESSED TRAYS FOR **BLOCK INFILL WITH LIFTING HANDLES**

This range of recessed trays for block infill are supplied with built in concealed lifting handles for cover removal without the need for manhole keys or tools.

The cover recess is 80 mm for use with 60 mm blocks. Covers are used in areas of paving where it is desirable to have a continuity of surface finish and pattern.



MILD STEEL

Cover and frame manufactured from strong mild steel.



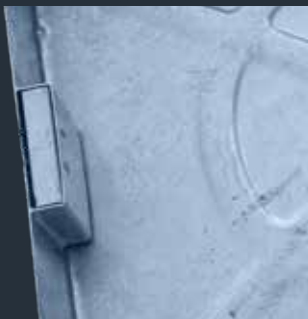
HOT DIP GALVANISED

Hot dipped galvanised to BS EN ISO 1461, to prevent corrosion for a long life.



LIFTING HANDLES

Lifting handles are built in to ensure an easy and safe lift.



STEP 1

Locate the concealed lifting handle. These are found on the two shorter edges.



STEP 2

Push down into one side of the handle to rock the other side upwards.

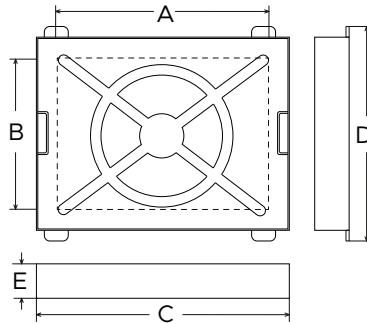


STEP 3

Use the handle to lift the access cover upwards.

RECESSED TRAYS FOR BLOCK INFILL (LIFTING HANDLES)

PLAIN SEATED



Product Features

- ▶ Cover and frame manufactured from strong mild steel
- ▶ Hot dipped galvanised to BS EN ISO 1461, to prevent corrosion for a long life
- ▶ Lifting keyways are reinforced to increase resistance to damage from lifting
- ▶ Plastic keyway blanking plugs are included to help prevent small items such as heels from entering the keyways
- ▶ Robust steel frame to ensure maximum adhesion to the bedding material

Stock Code Guide

- ▶ Codes ending in LH = Lifting Handle included

| STOCK CODE | SEAL | LOAD CLASS (slow moving wheel load) | CLEAR OPENING (mm) | OVERALL FRAME (mm) | FRAME DEPTH (mm) | RECESSED DEPTH (mm) |
|----------------|--------------|--|-----------------------|-----------------------|---------------------|------------------------|
| C231M/O60045LH | Plain seated | 2.5t (10t GLVW) | 600 x 450 | 640 x 590 | 52 | 49 |
| C281M/O60045LH | Plain seated | 2.5t (10t GLVW) | 600 x 450 | 635 x 580 | 85 | 80 |



RECESSED TRAYS FOR **BLOCK INFILL**

This comprehensive range of recessed manhole covers and frames are used in areas of paving where it is desirable to have a continuity of surface finish and pattern. The cover recess is 80/100 mm for use with 60/80 mm blocks. The covers and frames are hot dipped galvanised to BS EN ISO 1461. Keyways are reinforced to help avoid distortion and supplied complete with plastic blanking plugs as standard.



MILD STEEL

Cover and frame manufactured from strong mild steel.



HOT DIP GALVANISED

Hot dipped galvanised to BS EN ISO 1461, to prevent corrosion for a long life.



REINFORCED KEYWAYS

Lifting keyways are reinforced to increase resistance to damage from lifting.



BLANKING PLUGS

Plastic keyway blanking plugs are included to help prevent small items such as heels from entering the keyways.

OPTIONS

- ▶ Service indicator badge
- ▶ Square to round clear opening
- ▶ 80mm or 100mm recess depth

APPLICATIONS

- ▶ Domestic housing
- ▶ Commercial footways and light duty areas
- ▶ Pedestrian areas

OPTIONS

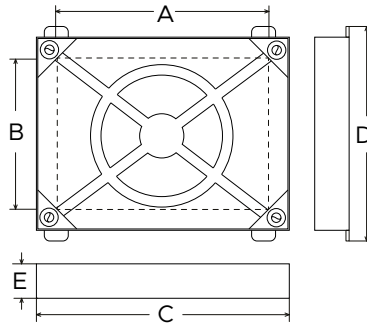
SQUARE TO ROUND

Square-to-round manhole covers streamline installation by allowing the fitting of slabs up against the frame. The design includes a circular opening for fast and precise alignment with circular chamber openings, reducing installation time.



RECESSED TRAYS FOR BLOCK INFILL

PLAIN SEATED



Product Features

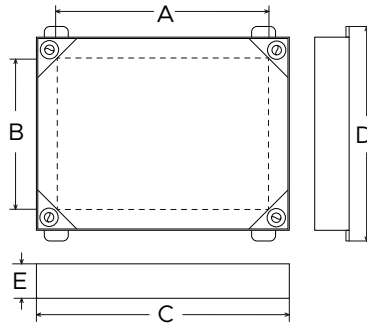
- ▶ Cover and frame manufactured from strong mild steel
- ▶ Hot dipped galvanised to BS EN ISO 1461, to prevent corrosion for a long life
- ▶ Lifting keyways are reinforced to increase resistance to damage from lifting
- ▶ Plastic keyway blanking plugs are included to help prevent small items such as heels from entering the keyways
- ▶ Robust steel frame to ensure maximum adhesion to the bedding material
- ▶ For lifting keys, see page 95.

Stock Code Guide

- ▶ Codes ending in SQR = Square to round

| STOCK CODE | SEAL | LOAD CLASS (slow moving wheel load) | CLEAR OPENING (A x B mm) | OVERALL FRAME (C x D mm) | FRAME DEPTH (E mm) | RECESSED DEPTH (mm) |
|------------------|--------------|--|-----------------------------|-----------------------------|-----------------------|------------------------|
| C281M/030030 | Plain seated | 2.5t (10t GLVW) | 300 x 300 | 340 x 440 | 85 | 80 |
| C281M/045045 | Plain seated | 2.5t (10t GLVW) | 450 x 450 | 490 x 590 | 85 | 80 |
| C281M/060045 | Plain seated | 2.5t (10t GLVW) | 600 x 450 | 640 x 590 | 85 | 80 |
| C281M/060060 | Plain seated | 2.5t (10t GLVW) | 600 x 600 | 640 x 740 | 85 | 80 |
| C281M/067067 | Plain seated | 2.5t (10t GLVW) | 675 x 675 | 715 x 825 | 85 | 80 |
| C281M/075060 | Plain seated | 2.5t (10t GLVW) | 750 x 600 | 790 x 750 | 85 | 80 |
| C281M/075075 | Plain seated | 2.5t (10t GLVW) | 750 x 750 | 790 x 890 | 85 | 80 |
| C281M/090060 | Plain seated | 2.5t (10t GLVW) | 900 x 600 | 940 x 740 | 85 | 80 |
| C281M/030030/SQR | Plain seated | 2.5t (10t GLVW) | Ø 300 | 340 x 440 | 85 | 80 |
| C281M/045045/SQR | Plain seated | 2.5t (10t GLVW) | Ø 450 | 490 x 590 | 85 | 80 |
| C291M/030030 | Plain seated | 2.5t (10t GLVW) | 300 x 300 | 340 x 440 | 105 | 100 |
| C291M/045045 | Plain seated | 2.5t (10t GLVW) | 450 x 450 | 490 x 580 | 105 | 100 |
| C291M/060045 | Plain seated | 2.5t (10t GLVW) | 600 x 450 | 640 x 590 | 105 | 100 |
| C291M/060060 | Plain seated | 2.5t (10t GLVW) | 600 x 600 | 640 x 750 | 105 | 100 |
| C291M/067067 | Plain seated | 2.5t (10t GLVW) | 675 x 675 | 715 x 815 | 105 | 100 |
| C291M/075060 | Plain seated | 2.5t (10t GLVW) | 750 x 600 | 790 x 740 | 105 | 100 |
| C291M/075075 | Plain seated | 2.5t (10t GLVW) | 750 x 750 | 785 x 880 | 105 | 100 |
| C291M/090060 | Plain seated | 2.5t (10t GLVW) | 900 x 600 | 940 x 740 | 105 | 100 |

RECESSED FOR BLOCK INFILL
PLAIN SEATED



Product Features

- ▶ Cover and frame manufactured from strong mild steel
- ▶ Hot dipped galvanised to BS EN ISO 1461, to prevent corrosion for a long life
- ▶ Plastic keyway blanking plugs are included to help prevent small items such as heels from entering the keyways
- ▶ Robust steel frame to ensure maximum adhesion to the bedding material
- ▶ Larger sizes feature twin covers
- ▶ For lifting keys, see page 95.

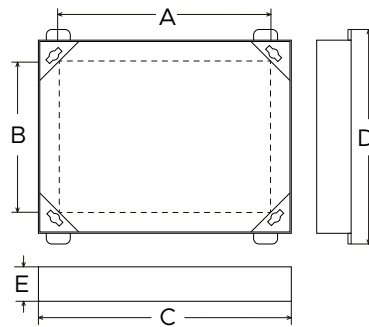
Stock Code Guide

- ▶ Codes ending in SQR = Square to round

| STOCK CODE | SEAL | LOAD CLASS (slow moving wheel load) | CLEAR OPENING (A x B mm) | OVERALL FRAME (C x D mm) | FRAME DEPTH (E mm) | RECESSED DEPTH (mm) |
|-------------------------|--------------|--|-----------------------------|-----------------------------|-----------------------|------------------------|
| C291N/045045 | Plain seated | 5t (26t GLVW) | 450 x 450 | 515 x 595 | 105 | 100 |
| C291N/060045 | Plain seated | 5t (26t GLVW) | 600 x 450 | 665 x 600 | 105 | 100 |
| C291N/060060 | Plain seated | 5t (26t GLVW) | 600 x 600 | 665 x 730 | 105 | 100 |
| C291N/067067 | Plain seated | 5t (26t GLVW) | 675 x 675 | 740 x 825 | 105 | 100 |
| C291N/075060 | Plain seated | 5t (26t GLVW) | 750 x 600 | 815 x 750 | 105 | 100 |
| C291N/075075 | Plain seated | 5t (26t GLVW) | 750 x 750 | 815 x 900 | 105 | 100 |
| C291N/090060 | Plain seated | 5t (26t GLVW) | 900 x 600 | 965 x 750 | 105 | 100 |
| C291N/045045/SQR | Plain seated | 5t (26t GLVW) | 450 x 450 | 515 x 595 | 105 | 100 |
| C291X/030030 | Plain seated | 11.5t (44t GLVW) | 300 x 300 | 365 x 430 | 105 | 100 |
| C291X/045045 | Plain seated | 11.5t (44t GLVW) | 450 x 450 | 515 x 600 | 105 | 100 |
| C291X/060045 | Plain seated | 11.5t (44t GLVW) | 600 x 450 | 665 x 600 | 105 | 100 |
| C291X/060060 | Plain seated | 11.5t (44t GLVW) | 600 x 600 | 665 x 740 | 105 | 100 |
| C291X/067067 | Plain seated | 11.5t (44t GLVW) | 675 x 675 | 740 x 825 | 105 | 100 |
| C291X/075060 | Plain seated | 11.5t (44t GLVW) | 750 x 600 | 815 x 750 | 105 | 100 |
| C291X/075075 | Plain seated | 11.5t (44t GLVW) | 750 x 750 | 815 x 900 | 105 | 100 |
| C291X/090060 | Plain seated | 11.5t (44t GLVW) | 900 x 600 | 965 x 750 | 105 | 100 |
| C292X/127067 | Plain seated | 11.5t (44t GLVW) | 1220 x 675 | 1320 x 865 | 110 | 100 |
| C292X/090090 | Plain seated | 11.5t (44t GLVW) | 900 x 900 | 990 x 1090 | 110 | 100 |

RECESSED FOR BLOCK INFILL

DOUBLE SEAL



Product Features

- ▶ Cover and frame manufactured from strong mild steel
- ▶ Hot dipped galvanised to BS EN ISO 1461, to prevent corrosion for a long life
- ▶ Tapered sides of the cover aid with the removal of the inset tray
- ▶ Continuous labyrinth seal and neoprene seal for better resistance to water ingress and odour egress
- ▶ Provided with guide tubes for the locking screws to ease installation
- ▶ Provided with four locking screws
- ▶ Robust steel frame to ensure maximum adhesion to the bedding material
- ▶ For lifting keys, see page 95.

| STOCK CODE | SEAL | LOAD CLASS (slow moving wheel load) | CLEAR OPENING (A x B mm) | OVERALL FRAME (C x D mm) | FRAME DEPTH (E mm) | RECESSED DEPTH (mm) |
|-----------------|-------------|--|-----------------------------|-----------------------------|-----------------------|------------------------|
| C291M/045045/D4 | Double Seal | 2.5t (10t GLVW) | 450 x 450 | 505 x 585 | 132 | 100 |
| C291M/060045/D4 | Double Seal | 2.5t (10t GLVW) | 600 x 450 | 655 x 585 | 132 | 100 |
| C291M/060060/D4 | Double Seal | 2.5t (10t GLVW) | 600 x 600 | 655 x 735 | 132 | 100 |
| C291N/045045/D4 | Double Seal | 5t (26t GLVW) | 450 x 450 | 505 x 585 | 132 | 100 |
| C291N/060045/D4 | Double Seal | 5t (26t GLVW) | 600 x 450 | 655 x 585 | 132 | 100 |
| C291N/060060/D4 | Double Seal | 5t (26t GLVW) | 600 x 600 | 655 x 735 | 132 | 100 |
| C291X/045045/D4 | Double Seal | 11.5t (44t GLVW) | 450 x 450 | 505 x 585 | 132 | 100 |
| C291X/060045/D4 | Double Seal | 11.5t (44t GLVW) | 600 x 450 | 655 x 585 | 132 | 100 |
| C291X/060060/D4 | Double Seal | 11.5t (44t GLVW) | 600 x 600 | 655 x 735 | 132 | 100 |



DEEP RECESSED TRAYS FOR **FLOOR FINISH**

Our deep recessed steel access covers and frames are suitable for use in heavy duty environments, such as areas where lorries and forklift traffic operate. They can be fully filled with concrete or partially filled with concrete and an alternative floor finish added on top, such as tarmac or resin bound gravel. The covers come complete with locking screws and neoprene seals providing a gaseous and/or liquid ingress and/or egress resistant unit.

Post fabrication hot dipped galvanising to BS EN ISO 1461 provides long life corrosion resistance.



REINFORCING BARS

Reinforcing bars are included in the recess to increase strength and rigidity and allow the concrete infill to bind.



MILD STEEL

Cover and frame manufactured from strong, heavy gauge mild steel.



TAPERED SIDES

Tapered sides of the cover aid with the removal of the inset tray.



NEOPRENE SEAL

Neoprene compression seal for resistance to water ingress and odour egress.



THREADED LIFTING POINTS

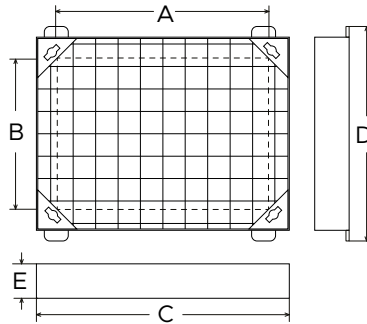
Four threaded lifting points protected by the locking screws.

Applications:

- ▶ Housing developments
- ▶ Commercial premises
- ▶ Car parks
- ▶ Retail outlets
- ▶ Shared spaces

DEEP RECESSED TRAYS FOR FLOOR FINISH

DOUBLE SEAL



Product Features

- ▶ Cover and frame manufactured from strong mild steel
- ▶ Hot dipped galvanised to BS EN ISO 1461, to prevent corrosion for a long life
- ▶ Reinforcing bars are included in the recess to increase strength and rigidity and allow the concrete infill to bind.
- ▶ Tapered sides of the cover aid with the removal of the inset tray
- ▶ Neoprene compression seal for resistance to water ingress and odour egress
- ▶ Provided with guide tubes for the locking screws to ease installation
- ▶ Provided with four locking screws
- ▶ Robust steel frame to ensure maximum adhesion to the bedding material
- ▶ For lifting keys, see page 95.

| STOCK CODE | SEAL | LOAD CLASS (slow moving wheel load) | CLEAR OPENING (mm) | OVERALL TOP OF FRAME (mm) | FRAME DEPTH (mm) | RECESSED DEPTH (mm) |
|-----------------|-------------|--|-----------------------|------------------------------|---------------------|------------------------|
| C291X/060045/TR | Double Seal | 11.5t (44t GLVW) | 600 x 450 | 656 x 600 | 131 | 100 |
| C291X/060060/TR | Double Seal | 11.5t (44t GLVW) | 600 x 600 | 656 x 750 | 131 | 100 |



SHALLOW RECESSED TRAYS FOR FLOOR FINISH

This range of recessed covers is designed to be in-filled with a suitable screed or concrete and are available in a range of clear opening sizes. They feature, as standard, four locking screws, a labyrinth seal, and a neoprene seal to provide a gaseous and/or liquid ingress and/or egress resistant unit.

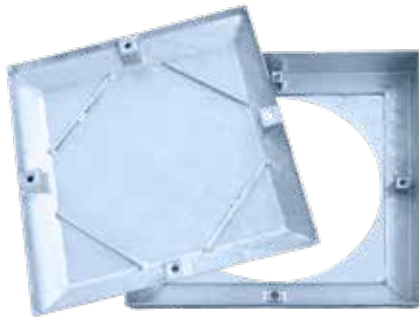
With a nominal tray depth of 40mm full load capability is achieved when filled to the top with C25 concrete.

For superior finishes our triple sealed aluminium products are recommended – CALPRO40 and CALPRO80 on page 120.



MILD STEEL

Cover and frame manufactured from strong mild steel.



SQUARE TO ROUND

Square to round clear opening option to suit circular chambers.



FLUSH LOCKING SCREWS

Countersunk locking screws finish flush to prevent a tripping hazard.



J-KEY LIFTING

J keys are available for lifting the cover through locking screw hole.

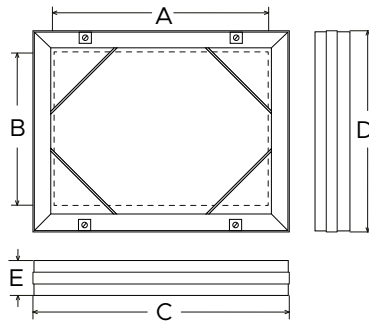


LABYRINTH AND NEOPRENE SEAL

Continuous labyrinth seal and neoprene seal for better resistance to water ingress and odour egress.

SHALLOW RECESSED TRAYS FOR FLOOR FINISH

DOUBLE SEAL



Product Features

- ▶ Cover and frame manufactured from strong mild steel
- ▶ Hot dipped galvanised to BS EN ISO 1461, to prevent corrosion for a long life
- ▶ Countersunk locking screws finish flush to prevent a tripping hazard
- ▶ J keys are available for lifting the cover through locking screw hole
- ▶ Continuous labyrinth seal and neoprene seal for better resistance to water ingress and odour egress
- ▶ Robust steel frame to ensure maximum adhesion to the bedding material

Stock Code Guide

- ▶ Codes ending in SQR = Square to round

| STOCK CODE | SEAL | LOAD CLASS (slow moving wheel load) | CLEAR OPENING (A x B mm) | OVERALL FRAME (C x D mm) | FRAME DEPTH (G mm) | RECESSED DEPTH (mm) |
|--------------------|-------------|--|-----------------------------|-----------------------------|-----------------------|------------------------|
| C271M/030030 * | Double Seal | 2.5t (10t GLVW) | 300 x 300 | 385 x 385 | 58 | 40 |
| C271M/045045 * | Double Seal | 2.5t (10t GLVW) | 450 x 450 | 535 x 535 | 58 | 40 |
| C271M/060045 * | Double Seal | 2.5t (10t GLVW) | 600 x 450 | 685 x 535 | 58 | 40 |
| C271M/060060 * | Double Seal | 2.5t (10t GLVW) | 600 x 600 | 685 x 685 | 58 | 40 |
| C271M/067067 * | Double Seal | 2.5t (10t GLVW) | 675 x 675 | 760 x 760 | 58 | 40 |
| C271M/075060 * | Double Seal | 2.5t (10t GLVW) | 750 x 600 | 835 x 685 | 58 | 40 |
| C271M/075075 * | Double Seal | 2.5t (10t GLVW) | 750 x 750 | 835 x 835 | 58 | 40 |
| C271M/090060 * | Double Seal | 2.5t (10t GLVW) | 900 x 600 | 985 x 685 | 58 | 40 |
| C271M/090075 * | Double Seal | 2.5t (10t GLVW) | 900 x 750 | 985 x 835 | 58 | 40 |
| C271M/030030/SQR * | Double Seal | 2.5t (10t GLVW) | Ø 300 | 385 x 385 | 58 | 40 |
| C271M/045045/SQR * | Double Seal | 2.5t (10t GLVW) | Ø 450 | 535 x 535 | 58 | 40 |

* Comes with locking screws



RECESSED TRAYS FOR **BLOCK INFILL (OPENREACH)**

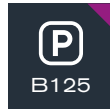
Our range of Openreach-approved block pavior covers and frames are particularly suited to town centre developments, where replacement of existing service covers is required to facilitate infill of blocks or stone to match the surrounding area.

Individual lids incorporate a central lifting point and tapered cover side to provide a slide out feature for access by a single operative.



OPENREACH APPROVED

Approved covers used by customers such as Openreach and Virgin Media.



B125

Fully compliant with BS EN 124, for use in B125 load class environments.



SINGLE PERSON LIFT

Designed in such a way as to allow a single person to lift.



HOT DIP GALVANISED

Hot dipped galvanised to BS EN ISO 1461, to prevent corrosion for a long life.



KITEMARK

Third party certified by British Standards Institution (BSI).

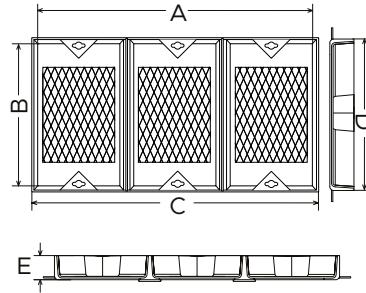


SLIDE OUT DESIGN

We've included a simple, slide out design for ease of removal. They have been designed with tapered sides and centralised lifting points to allow the cover to slide out of the frame. These features allow covers to be safely removed by one person.



RECESSED TRAYS FOR BLOCK INFILL OPENREACH
PLAIN SEATED



Product Features

- ▶ Approved covers used by customers such as Openreach and Virgin Media
- ▶ Hot dipped galvanised to BS EN ISO 1461, to prevent corrosion for a long life
- ▶ For use in a Group 2 B125 class environment, in accordance with BS EN 124
- ▶ Third party certified by BSi
- ▶ Designed with tapered sides and centralised lifting points to allow the cover to slide out of the frame
- ▶ Designed in such a way as to allow a single person to lift
- ▶ Robust steel frame to ensure maximum adhesion to the bedding material

| STOCK CODE | SEAL | LOAD CLASS (slow moving wheel load) | CLEAR OPENING (A x B mm) | OVERALL FRAME (C x D mm) | FRAME DEPTH (G mm) | RECESSED DEPTH (mm) | NUMBER OF LIDS | CHAMBER REFERENCE |
|-----------------|--------------|---|--------------------------------|--------------------------------|--------------------------|------------------------|-------------------|----------------------|
| C231N/072025/BT | Plain seated | B125 (EN124) | 725 x 255 | 885 x 415 | 86 | 70 | 1 | 2 |
| C233N/091044/BT | Plain seated | B125 (EN124) | 915 x 445 | 1075 x 605 | 86 | 70 | 3 | 4 |
| C232N/061061/BT | Plain seated | B125 (EN124) | 610 x 610 | 770 x 770 | 86 | 70 | 2 | 5 |
| C234N/131061/BT | Plain seated | B125 (EN124) | 1310 x 610 | 1470 x 770 | 86 | 70 | 4 | 6 |
| C236N/228071/BT | Plain seated | B125 (EN124) | 2285 x 710 | 2445 x 870 | 86 | 70 | 6 | 10 |
| C235N/169071/BT | Plain seated | B125 (EN124) | 1690 x 710 | 1850 x 870 | 86 | 70 | 5 | 11 |
| C233N/096061/BT | Plain seated | B125 (EN124) | 960 x 610 | 1120 x 770 | 86 | 70 | 3 | - |



RECESSED TRAYS
**CONCRETE FILLED
 (OPENREACH)**

Our Openreach approved covers and frames are suitable for footway developments where replacement covers, or new chamber builds are required.

The cover sides are tapered for ease of removal, they offer a slip resistant surface, have no inherent scrap value, and offer long service life. Installation is simplified by the covers being supplied pre concrete filled, sizes to suit BT chamber openings.

Upgrade your town centre developments with our Openreach approved concrete filled access covers.

These are designed for projects that require the replacement of existing service covers and are ideal for footway developments where replacement covers, or new chamber builds are required.

Key features and benefits of our Openreach approved access covers:



SLIDE OUT FUNCTION

Our covers have a slide out function, to make handling during installation and maintenance easier.



SLIP-RESISTANT SURFACE

Built with a slip-resistant surface, our covers ensure safety for both pedestrians and workers, reducing accident risks.



CENTRAL LIFTING POINT

Each cover includes a central lifting point, allowing for easy access by a single operative, which saves time and effort.



LONG SERVICE LIFE

With robust construction and no inherent scrap value, our access covers are durable, offering cost savings over time.



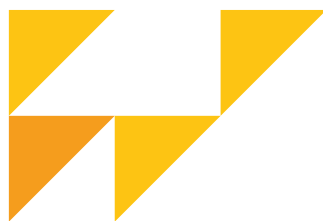
TAPERED COVER SIDES

The sides are tapered to provide a slide-out feature that enhances accessibility and ensures trouble-free access to underlying infrastructure.

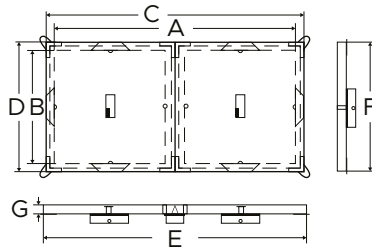


SIMPLIFIED INSTALLATION

The covers are pre-concrete filled for easy installation, designed to fit BT chamber openings perfectly, saving time on-site.



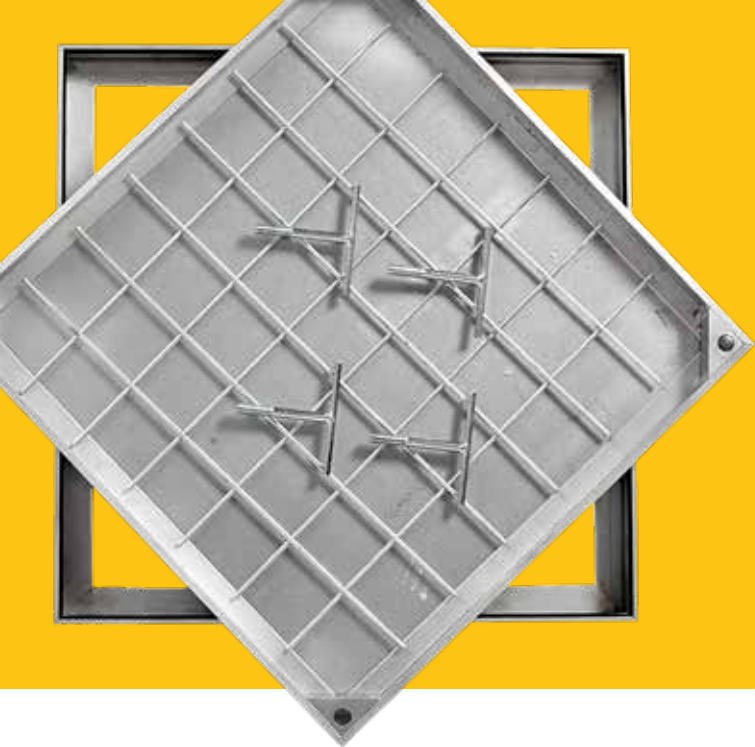
CONCRETE FILLED OPENREACH PLAIN SEATED



Product Features

- ▶ Approved covers used by customers such as Openreach and Virgin Media
- ▶ Hot dipped galvanised to BS EN ISO 1461, to prevent corrosion for a long life
- ▶ For use in a Group 2 B125 class environment, in accordance with BS EN 124
- ▶ Third party certified by BSi
- ▶ Supplied with concrete pre-filled
- ▶ Designed with tapered sides and centralised lifting points to allow the cover to slide out of the frame
- ▶ Designed in such a way as to allow a single person to lift
- ▶ Robust steel frame to ensure maximum adhesion to the bedding material

| STOCK CODE | SEAL | LOAD CLASS (slow moving wheel load) | CLEAR OPENING (A x B mm) | OVERALL FRAME (C x D mm) | BACK OF RISERS (IF FITTED) (E x F mm) | FRAME DEPTH (G mm) | RECESSED DEPTH (mm) | NUMBER OF LIDS |
|-----------------|--------------|---|--------------------------------|--------------------------------|--|--------------------------|------------------------|-------------------|
| C261N/072025/BT | Plain seated | B125 (EN124) | 725 x 255 | 817 x 347 | 719 x 249 | 46 | 43 | 1 |
| C261N/061061/BT | Plain seated | B125 (EN124) | 610 x 610 | 702 x 702 | 604 x 604 | 46 | 43 | 1 |
| C261N/091044/BT | Plain seated | B125 (EN124) | 914 x 445 | 1007 x 537 | 909 x 439 | 46 | 43 | 1 |
| C262N/131061/BT | Plain seated | B125 (EN124) | 1310 x 610 | 1402 x 702 | 1304 x 604 | 46 | 43 | 2 |
| C263N/170071/BT | Plain seated | B125 (EN124) | 1705 x 710 | 1797 x 802 | 1699 x 704 | 46 | 43 | 3 |
| C263N/232074/BT | Plain seated | B125 (EN124) | 2319 x 742 | 2411 x 834 | 2313 x 736 | 46 | 43 | 3 |



ALUMINIUM TRIPLE SEALED RECESSED ACCESS COVERS

Our triple-seal aluminium accessed covers offer a superior finish for a wide range of flooring finishes. Available in frame depths of 40 and 60mm and tray depths of 27 and 40mm.

Designed with a narrow frame width to offer a near seamless edge, providing an aesthetically pleasing finish. The tray depths provide compatibility with nearly all infill materials, including popular porcelain paving.

Our triple sealed recessed covers and frames are designed to accommodate a range of flooring finishes, for areas requiring an aesthetically pleasing finish.

Features included as standard are:

- ▶ Four locking screws and 3 neoprene seals offering resistance to gas egress and water / grit ingress.
- ▶ Triple sealed to prevent grit and debris ingress
- ▶ A standard tray depth of 27 mm unless otherwise indicated.
- ▶ Designed for indoor use in areas where a superior finish is required.

SECURELY SEALED

Featuring four locking screws and three neoprene seals, double base seals and a surface grit seal, you will achieve increased security from any ingress or egress of the cover.

This increased security provides peace of mind that dirt, debris, water, or gasses will be unable to either enter or escape the chamber.

Thanks to the triple seal they are ideally suited for internal use, where the escape of any gasses or contamination from the chamber would be unwanted and potentially costly.

A NEAR SEAMLESS FINISH

We know that it's important for an access cover to fit with its environment and provide an aesthetically pleasing finish. So that's why our recessed aluminium access covers feature a visible edge that's only 13mm wide and with only 0.5mm gaps between the frame and cover.

Thanks to this you can achieve a nearly seamless fit into any environment.

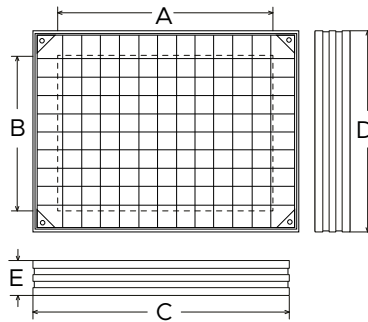
In addition, the straight cover sides allow infill material can butt up to the cover edge and reduce time and effort when cutting materials to fit within the tray.



APPLICATIONS

- ▶ Residential - patios, driveways, conservatories
- ▶ Retail - shops and shopping precincts, car showrooms
- ▶ Hotels
- ▶ Hospitals
- ▶ Kitchens
- ▶ Light commercial delivery areas
- ▶ Stations and airports
- ▶ Schools
- ▶ Sports and leisure facilities

**RECESSED FOR FLOOR FINISH ALUMINIUM
TRIPLE SEAL**



Product Features

- ▶ Four locking screws and three EPDM seals offer resistance to gas egress and water/grit ingress
- ▶ Four threaded lifting points protected by the locking screws and plastic dust caps
- ▶ Cover and frame manufactured from strong, corrosion resistant aluminium

Stock Code Guide

- ▶ Codes ending in SQR = Square to round

| STOCK CODE | SEAL | LOAD CLASS (slow moving wheel load) | CLEAR OPENING (A x B mm) | OVERALL FRAME (C x D mm) | FRAME DEPTH (G mm) | RECESSED DEPTH (mm) |
|---------------------|-------------|--|-----------------------------|-----------------------------|-----------------------|------------------------|
| CALPRO40L/030030 | Triple Seal | 1.5t (5t GLVW) | 300 x 300 | 390 x 390 | 40 | 27 |
| CALPRO40L/045045 | Triple Seal | 1.5t (5t GLVW) | 450 x 450 | 540 x 540 | 40 | 27 |
| CALPRO40L/060045 | Triple Seal | 1.5t (5t GLVW) | 600 x 450 | 690 x 540 | 40 | 27 |
| CALPRO40L/060060 | Triple Seal | 1.5t (5t GLVW) | 600 x 600 | 690 x 690 | 40 | 27 |
| CALPRO40L/067067 | Triple Seal | 1.5t (5t GLVW) | 675 x 675 | 765 x 765 | 40 | 27 |
| CALPRO40L/075060 | Triple Seal | 1.5t (5t GLVW) | 750 x 600 | 840 x 690 | 40 | 27 |
| CALPRO40L/075075 | Triple Seal | 1.5t (5t GLVW) | 750 x 750 | 840 x 840 | 40 | 27 |
| CALPRO40L/090060 | Triple Seal | 1.5t (5t GLVW) | 900 x 600 | 990 x 690 | 40 | 27 |
| CALPRO60N/045045 | Triple Seal | 5t (26t GLVW) | 450 x 450 | 540 x 540 | 60 | 40 |
| CALPRO60N/060045 | Triple Seal | 5t (26t GLVW) | 600 x 450 | 690 x 540 | 60 | 40 |
| CALPRO60N/060060 | Triple Seal | 5t (26t GLVW) | 600 x 600 | 690 x 690 | 60 | 40 |
| CALPRO60N/067067 | Triple Seal | 5t (26t GLVW) | 675 x 675 | 765 x 765 | 60 | 40 |
| CALPRO60N/075060 | Triple Seal | 5t (26t GLVW) | 750 x 600 | 840 x 690 | 60 | 40 |
| CALPRO60N/075075 | Triple Seal | 5t (26t GLVW) | 750 x 750 | 840 x 840 | 60 | 40 |
| CALPRO60N/090060 | Triple Seal | 5t (26t GLVW) | 900 x 600 | 990 x 690 | 60 | 40 |
| CALPRO60N/090090 | Triple Seal | 5t (26t GLVW) | 900 x 900 | 990 x 990 | 60 | 40 |
| CALPRO40L/045045SQR | Triple Seal | 1.5t (5t GLVW) | Ø 450 | 540 x 540 | 40 | 27 |
| CALPRO60N/045045SQR | Triple Seal | 5t (26t GLVW) | Ø 450 | 540 x 540 | 60 | 40 |



WREKIN

All information in this catalogue is subject to change without notice. While efforts have been made to make this catalogue helpful and accurate, Wrekin Products Ltd. does not warrant the accuracy of information obtained from this catalogue. Where errors or omission are brought to the attention of Wrekin, amendments will be made as quickly as possible.



Tel. 01543 440 440
Fax. 01543 440 444
Email. sales@wrekinproducts.com
wrekinproducts.com

Wrekin Products Limited.
Unit 1a, Europa Way
Britannia Enterprise Park
Lichfield, Staffordshire
WS14 9TZ

